



# ATG-C01-40A

Commercial EV Charger

Charge forward  
with one the best  
smart EV charging  
stations you can  
find in the market.



## Key Features



### Charging Power

Allowing for significantly increased charging speed – up to 9.6kW of charging power at 40 amps.



### Ease of Use

18ft cable allows customers to easily reach their EV's charging port.



### Installation Versatility

Installation versatility with indoor and outdoor usage rating (NEMA Type 4).



### Universal Compatibility

SAE-J1772 compliance ensures compatibility with all EVs.



### Smart Connected

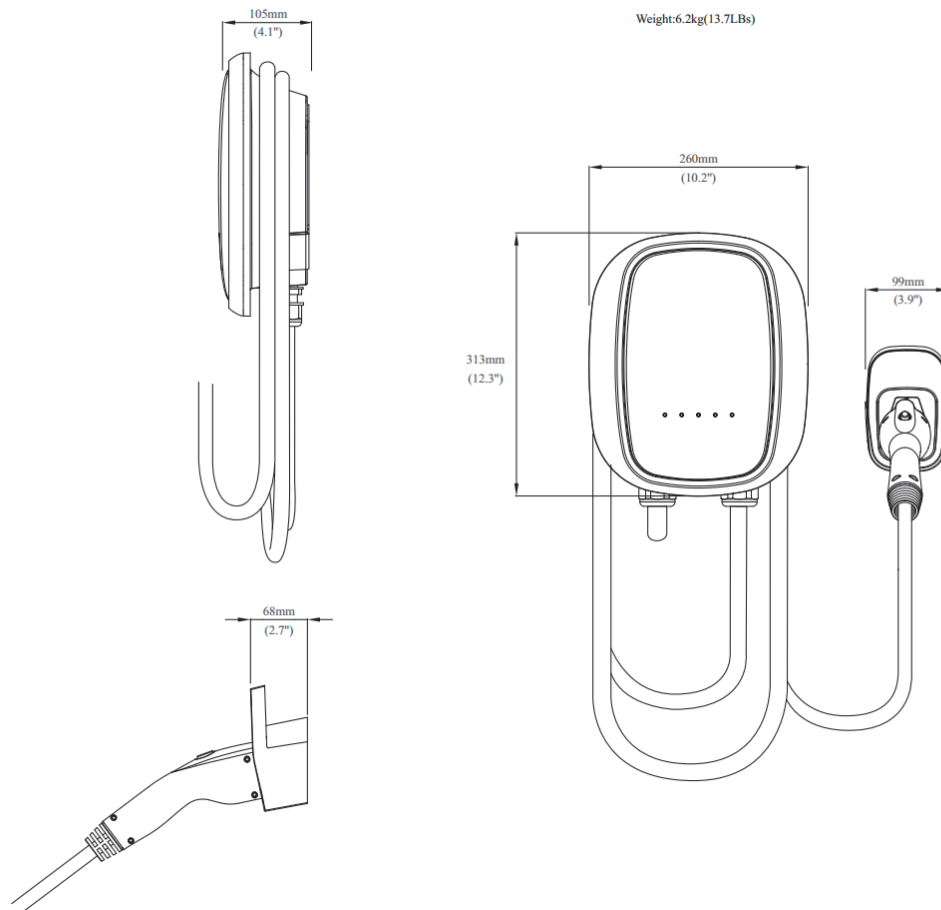
Intelligently connects the device through Wi-Fi or Bluetooth to remote control or monitor your charger.



### Onboard Intelligence

Plug in, charge, and manage your schedule even when you can't connect to the internet.

## Dimensional data



# Commercial EV Charger

**ATG-C01-40A**



## Specifications

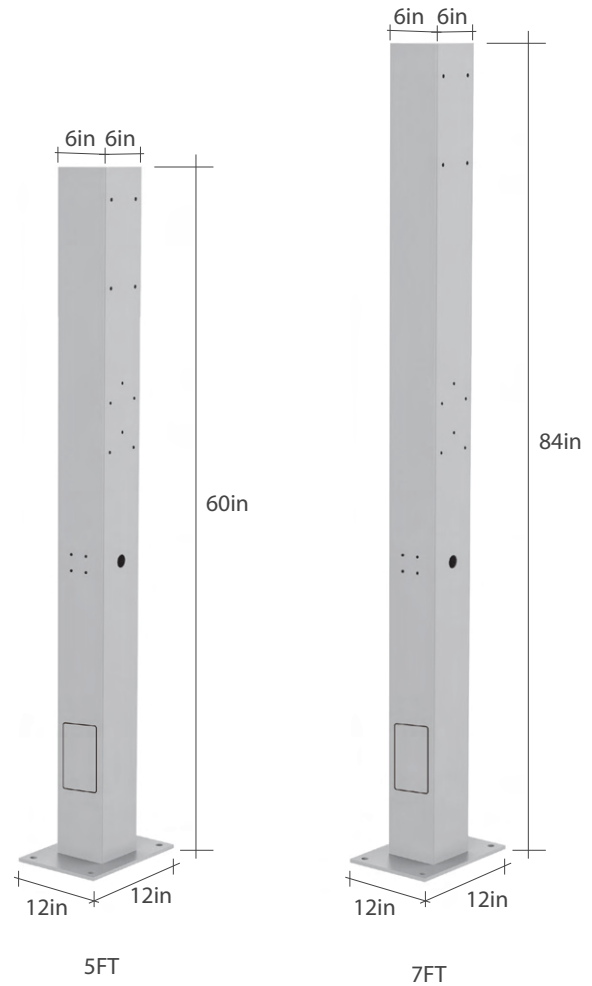
Electrical Characteristics	<ul style="list-style-type: none"> <li>• Safety Rated: 40A Max</li> <li>• Single phase input: nominal voltage 208-240 VAC~ 60 Hz</li> <li>• Power: 9.6 kW at 240 VAC</li> </ul>
Input Cable	<ul style="list-style-type: none"> <li>• Hardwired 2.6ft/0.8m cable</li> </ul>
Output Cable & Connector	<ul style="list-style-type: none"> <li>• 18ft/5.5m cable</li> <li>• SAE J1772 standard compliant</li> </ul>
APP	<ul style="list-style-type: none"> <li>• Precision measurement of power, energy, voltage &amp; current</li> <li>• Automated notifications: time-of-use in effect, start of charge, end of charge, unit offline, unit back online, car not plugged in by a set time</li> </ul>
Smart Grid Connectivity	<ul style="list-style-type: none"> <li>• Built-in Wi-Fi connectivity (802.11b/g/n2.4GHz)</li> </ul>
Firmware	<ul style="list-style-type: none"> <li>• Over-the-air(OTA) upgradeable firmware</li> </ul>
Emissions Reduction	<ul style="list-style-type: none"> <li>• Available via optional software upgrade</li> </ul>
Enclosure	<ul style="list-style-type: none"> <li>• Dynamic LED lights show charging status: standby, CP connectivity, charging in progress, fault indicator, network connectivity</li> <li>• NEMA Enclosure Type4: Weatherproof, dust-tight</li> <li>• IK10: Resistant polycarbonate case</li> <li>• Quick-release wall mounting bracket included</li> <li>• Operating Temperature: -22°F to 122°F (-30°C to 50°C)</li> </ul>
Dimensions	<ul style="list-style-type: none"> <li>• Main enclosure: 12.3inx10.2inx4.1inch (313mmx260mmx105mm)</li> </ul>
Codes & Standards	<ul style="list-style-type: none"> <li>• NEC625 compliant, UL2594 compliant, OCPP1.6J, FCC Part 15 Class B, Energy Star</li> </ul>
Safety	<ul style="list-style-type: none"> <li>• ETL Listed</li> </ul>
RFID	<ul style="list-style-type: none"> <li>• Support</li> </ul>
Warranty	<ul style="list-style-type: none"> <li>• 5 years limited product</li> </ul>

# EV Charging Station Pedestal



## Product Features

- Mount up to two stations on pedestal.
- Weather-resistant construction: anti-corrosion powder coated.
- Concealed raceway: wiring is safely enclosed within the pedestal.
- Water-resistant access panel.
- Securely ground-mounted with four anchor bolts.
- Small footprint saves space and keeps area to minimum.
- ADA compliant height.
- Available in 5FT or 7FT height.



## Specifications

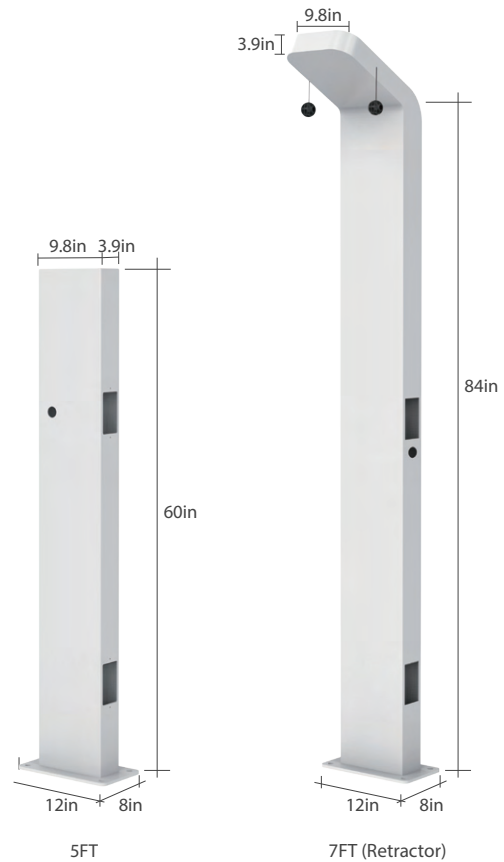
Model No.	5FT:EVT001	7FT:EVT002
Dimension - inch	Pedestal: 5FT: 6×6×60	Pedestal: 7FT: 6×6×84
	Base: 12×12×0.24	
Weight	5FT: 95LBs	7FT: 137LBs
Charging Stations	Mount up to 2 charging stations	
Compliance	Charging station and holster mounts are compliance with Americans with Disabilities Act Standards (ADA) recommended charge connect height of less than 48" and greater than 24"	
Installation	Ground-based; anchor installation into concrete	

# EV Charging Station Pedestal



## Product Features

- Mount up to two stations on pedestal.
- Weather-resistant construction: anti-corrosion powder coated.
- Concealed raceway: wiring is safely enclosed within the pedestal.
- Water-resistant access panel.
- Small footprint saves space and keeps area to minimum.
- ADA compliant height.
- Available in 5FT or 7FT height.
- Retractor with spring loaded tether suspends cable for convenient storage.
- An economical and efficient cable management solution.
- Compatible with all charging station cables.



## Specifications

Model No.	5FT:EVT003	7FT:EVT004
Dimension - inch	Pedestal: 5FT: 9.8x3.9x60	Pedestal: 7FT: 9.8x3.9x84
	Base: 12x8x0.24	
Weight	5FT: 72.7LBs	7FT: 99.2LBs
Charging Stations	Mount up to 2 charging stations	
Compliance	Charging station and holster mounts are compliance with Americans with Disabilities Act Standards (ADA) recommended charge connect height of less than 48" and greater than 24"	
Installation	Ground-based; anchor installation into concrete	
	<b>Retractor</b>	
Cable Winding Length	18FT (5.5m)	
Pulling and Rolling Strength	≥2.2LBs	
Operating Temperature	-22°F to 122°F (-30°C to 50°C)	
Life Span	≥ 10000 times (Slow pull natural recovery)	
Output Cable	Connects to existing EVSE. Type 1 SAE J1772 cord, AC Level 2, 32-80A rated (7.6-19.2 kW)	
	Cable Management System is only available in 7FT pedestal.	

# EV Charging Station Retractor



## Characteristics

- The charging gun auxiliary wire take-up can be retracted automatically, equipped with an automatic locking device, which can control the length of the wire pulled out and retracted, and it's suitable for auxiliary wire take-up of new energy charging guns and various cables.
- Structural features practical and convenient, save time and effort, keep the working environment clean and tidy, safe, and efficient.



## Product Features

- Retractor with spring loaded tether suspends cable for convenient storage
- An economical and efficient cable management solution
- Designed to be mounted to wall or pedestal
- Compatible with all charging station cables



## Specifications

Material	ABS, 201 stainless steel
Dimension	9.6in × 6.5in × 2.52in (244mm × 164mm × 64mm)
Weight	2.3LBs/1.05kg
Cable Winding Length	18FT (5.5m)
Pulling and Rolling Strength	≥2.2LBs
Operating Temperature	-22°F to 122°F (-30°C to 50°C)
Life Span	≥ 10000 times (Slow pull natural recovery)
Output Cable	Connects to existing EVSE. Type 1 SAE J1772 cord, AC Level 2, 32-48A rated (7.6-11.5 kW) Cable Management System is only available in 7FT pedestal.

# EV Charging Management System

ATG e-Power provides a fully managed charging service including access control, automatic energy metering and billing, and smart load management. With ATG e-Power, you'll never sweat the details. We provide end-users with a seamless charging experience while optimizing energy usage and revenue for building owners.

## System Features



### Segment Employees

Control members, guests and other EV drivers charge point access and usage.



### Set Different Prices

Manage charge points on an individual level and decide pricing for different groups.



### Sponsored Charge Points

Stay in power with your smart charger, who, when and at what price according to your convenience.



### Reserve Charge Points

Reserve a charge point to make sure you're not driving to occupied charge points. Once a charge point is reserved, only you can start it.



### Smart Queue

Smart Queue is an intelligent Queuing system that distributes EVs between charge points when they become available. Once it's your turn, you get a notification.

## System Advantages

### • ZERO-TOUCH BILLING

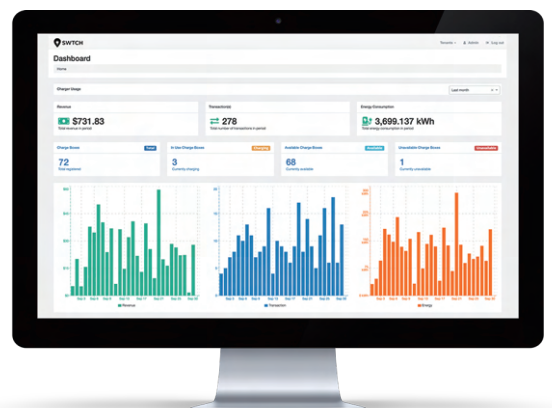
ATG e-Power's system is designed to be zero-touch for building owners and operators. ATG e-Power automatically tracks energy consumption, bills EV owners directly, and remits funds back to the property.

### • SMART MANAGEMENT

ATG e-Power's Admin Dashboard provides a single interface for managing and monitoring your stations. ATG e-Power is responsible for configuring stations based on your requirements.

### • VALUABLE INSIGHTS

Regular payments are accompanied by detailed usage reports. Data can be viewed and downloaded at any time via the Admin Dashboard to help generate insights on how and when to upgrade your portfolio of stations.



## Application Scenarios

