

DESCRIPTION

FEATURES

- Replaces legacy 4" or 6" CFL or incandescent downlights
- Integrated white trim with medium base(E26) socket adapters (included in packing) for direct replacement
- Field CCT selectable, 5 CCT selections

CERTIFICATIONS

- ETL Listed, Suitable for Wet Locations
- Energy Star Approved for superior energy efficiency
- Title 20 certified and supports compliance with Title 24 (JA8)

PERFORMANCE

- Rated lifetime L70: 5000 hrs+
- 2700K/3000K/3500K/4000K/5000K Selectable
- 765 LM for 4" downlight @4000K, 1100 LM for 6" downlight @4000K
- CRI>90

ELECTRICAL

- Input Voltage: 120V
- Triac dimming
- Power Factor: >0.9
- THD: <20%

THERMAL

-4°F to 104°F (-20°C to 40°C) operating temperature

CONSTRUCTION

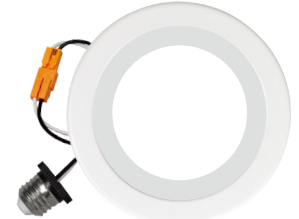
- White finish comes standard
- Spinning metal housing, high quality PC lens
- Frosted lens for diffuse lighting

WARRANTY

5 year limited warranty, terms and conditions may apply



5CCT LED RETROFIT
ELD4-9-5CCT-W-BF / ELD6-13-5CCT-W-BF



5CCT LED RETROFIT
ELD4-9-5CCT-W-SM / ELD6-13-5CCT-W-SM



APPLICATIONS

- Multi-Residential (Dorms/Apartments)
- Classroom
- Office
- Reception/Lobby
- Restrooms
- Retail
- Dr. Offices/Waiting/Patient Rooms
- Library
- Meeting rooms
- Dining/Cafeteria
- Airports
- Automotive Dealerships
- Hallways
- Stairwells

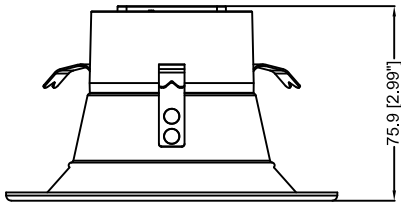
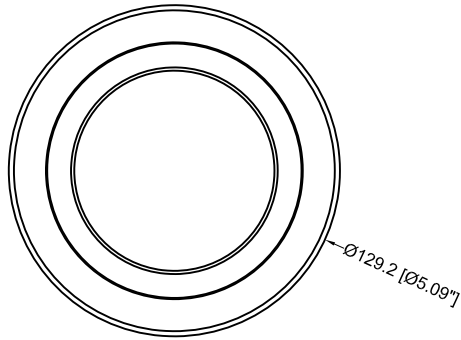
ORDER FORMAT

Series	Wattage	CCT	Finish	Trim
ELD4=4" Downlight	9=10W	5CCT=2700K/3000K/3500K	W=White	SM=Smooth Trim
ELD6=6" Downlight	13=13W	4000K/5000K Select	B=Black	BF=Baffle Trim

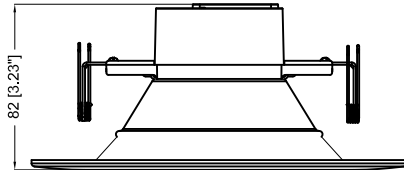
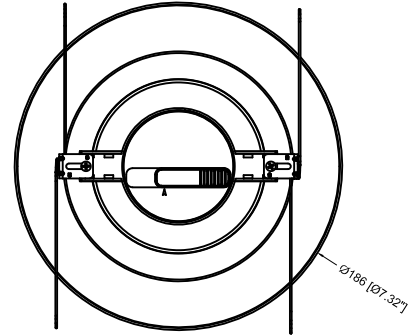
Lumen Chart

Model Number	Size	CCT	Wattage	CRI	Lumens
ELD4-9-5CCT-W-SM	4"	2700K/3000K/3500K/4000K/5000K	9W	90	765 LM
ELD4-9-5CCT-W-BM					
ELD6-13-5CCT-W-SM	6"		13W		1100 LM
ELD6-13-5CCT-W-BM					

PHYSICAL SPECIFICATIONS



ELD4-9-5CCT-W-SM



ELD6-13-5CCT-W-SM

RECOMMENDED DIMMERS

LUTRON

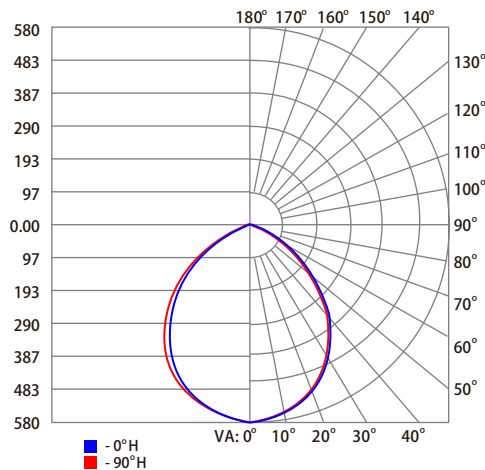
- TGCL-153PH-WH
- DVCL-153PR-P-PKGIW-WH-R
- CTCL-153PDH-WH

LEVITON

- ROO-RNLO6-TW
- R50-IPL06-10M

PHOTOMETRIC SPECIFICATIONS

POLA CANDELA DISTRIBUTION



Model	ELD6-13-5CCT-W-SM
CCT	3500K
Input Wattage	12.55W
Light Output	1253.3LM
Max CD	576.6 @Horizontal 270° Vertical 3°