

# Energizer Solar Peak 3000 Portable Power Station

User Manual

# Contents

<b>Parameters</b>	<b>1</b>
<hr/>	
<b>Safety Guidelines</b>	
<hr/>	
Warning	2
Discard	3
<b>User Guidelines</b>	
<hr/>	
Product Overview	4
LCD Screen	6
How to Use	6
AC Charging	9
PV Charging	10
Car Charging	10
Battery Expansion	11
Energizer Solar Portable Power App	11
UPS Function	12
Anti-slip Gloves	12
<b>FAQ's</b>	<b>13</b>
<hr/>	
<b>Error Messages &amp; Solutions</b>	<b>15</b>
<hr/>	
<b>What's in the box</b>	<b>15</b>
<hr/>	
<b>Maintenance</b>	<b>15</b>
<hr/>	
<b>Disclaimer</b>	<b>15</b>
<hr/>	

# Parameters

General	
Net Weight	34kg (75lbs)
Dimensions (W x H x D)	536 x 303 x 343mm (21.1" x 12" x 13.5")
Battery Capacity	2560Wh 51.2V $\approx$ ,50Ah
WiFi	Supported
Output (EU/FR/AU/ZA)	
AC Output x 3 (Inverter mode)	Pure sine-wave, total 3000W (peak 5000W), 220-240V~(50/60Hz), 16A
AC Output (Bypass mode)	220-240V~(50/60Hz), 2300W Max, 10A Max
Output (UK)	
AC Output x 4 (Inverter mode)	Pure sine-wave, total 3000W (peak 5000W), 220-240V~(50/60Hz), 13A
AC Output (Bypass mode)	220-240V~(50/60Hz), 2300W Max, 10A Max
Output (US)	
AC Output x 4 (Inverter mode)	AC Output (x3): 100-120V~(60Hz), 20A 2400W AC Output (x1): 100-120V~(60Hz), 25A 3000W
AC Output (Bypass mode)	100-120V~(60Hz), 1800W Max, 15A Max
Other Outputs	
USB-A x 2	5V $\approx$ 2.4A, 12W Max
USB-A Quick Charge x 2	5V $\approx$ 3A, 9V $\approx$ 2A, 12V $\approx$ 1.5A, 18W Max
USB-C x 2	5/9/12/15V $\approx$ 3A, 20V $\approx$ 5A, 100W Max
Anderson Terminal Output	12.6V $\approx$ 30A, 378W Max
Car Charger	12.6V $\approx$ 10A, 126W Max
DC5521 Output x 2	12.6V $\approx$ 3A

\* Car charge and DC5521 share power, 126W Max.

\* Inverter mode: the output AC power comes from the battery, not the grid.

\* Bypass mode: the output AC power comes from the grid, not the battery.

Input (UK/EU/FR/AU/ZA)	
AC Input Power	2300W Max, 10A
AC Input Voltage	220-240V~(50/60Hz)
Input (US)	
AC Input Power	1800W Max, 15A
AC Input Voltage	100-120V~(60Hz)
Other Inputs	
PV Panel x 2	13-45V $\approx$ 12A, 800W Max
Car Port Input	12V/24V Battery Supported, 8A by default

## Parameters

<b>Input Charging (UK/EU/FR/AU/ZA)</b>	
AC Charging Power	2000W Max
<b>Input Charging (US)</b>	
AC Charging Power	1800W Max
<b>Other Input Charging</b>	
PV/Car Charging Power x 2	800W Max
AC+PV Charging Power	2560W Max
<b>Battery</b>	
Cell Type	Lithium Iron Phosphate Battery (LiFePO <sub>4</sub> )
Life Cycle	4,000 cycles
Protection Type	Over temperature protection, low temperature protection, over discharge protection, over charge protection, over load protection, short circuit protection, over current protection
<b>Operating Temperatures</b>	
Optimum Operating Temperature	20°C ~ 30°C (68°F ~ 86°F)
Discharge Ambient Temperature	-20°C ~ 45°C (-4°F ~ 113°F)
Charge Ambient Temperature	0°C ~ 45°C (32°F ~ 113°F)
Storage Ambient Temperature	-20°C ~ 45°C (-4°F ~ 113°F)

\*Whether the product can be charged or discharged is subject to the actual battery pack temperature.

<b>Battery Expansion</b>	
Power Input/Output	40-58.8V=50A charge (Max.), 70A discharge (Max.)
Nominal Energy	2560Wh, supports a Max. of 6 expansion battery packs

## Safety Guidelines

### Warning

1. Do not let a working power station be close to a heat source, such as a fire or a heater.
2. Do not let the expansion battery pack come into contact with any liquid. Do not immerse this product in water or get it wet. Do not use this product in the rain or in a wet environment.
3. Do not use the power station in a strong electrostatic or strong magnetic field environment.
4. Do not disassemble the power station in any way or pierce it with a sharp object.
5. Do not use wires or other metal objects to short-circuit the product.
6. Avoid stepping, sitting or climbing on the power station.
7. Do not use parts or accessories that are not officially supplied. If a replacement is required, please contact Energizer Solar at [www.energizersolar.com](http://www.energizersolar.com).

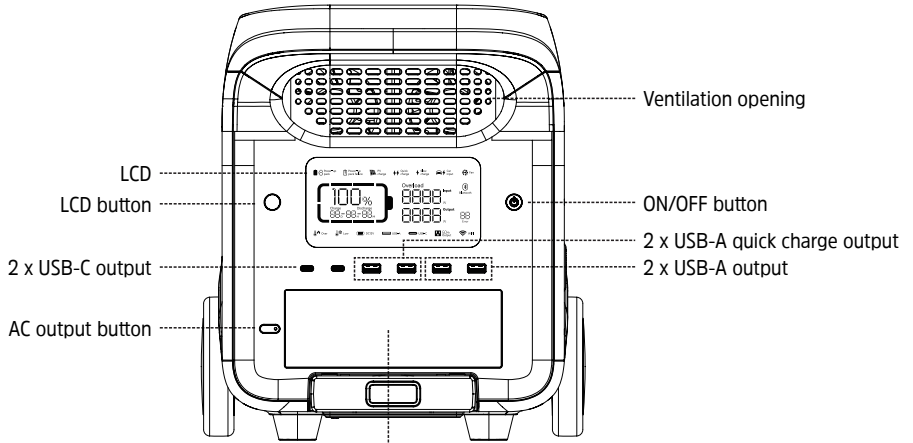
8. When using the power station, please follow the temperature guidelines outlined in this user manual. Excessively high temperatures can lead to a risk of battery ignition, while excessively low temperatures will significantly compromise the power station's performance and may affect its normal operation.
9. Do not place heavy objects on top of the power station.
10. Do not forcibly stop the fan or expose the power station to unventilated or dusty environments while it's operating.
11. Please avoid dropping and violent vibration. If severe impact happens, shut down the power station immediately. Please secure the power station during transportation to avoid vibration and impact.
12. If the power station accidentally falls into water, place it in a safe and spacious area, and maintain a safe distance until its completely dry. Even after the product has dried do not attempt to use the product again. Dispose of it properly according to the discard section in this user manual. If the power station is on fire, please use the recommended fire extinguishing methods in the following order: water or water mist, sand, fire blanket, dry powder, dioxide carbon fire extinguisher.
13. If the surface is dirty, clean it with a microfibre cloth.
14. Handle the power station with care to prevent damage. In the event of a severe impact causing the power station to tip over and sustain significant damage, turn it off immediately. Place the power station in a well-ventilated area, away from flammable materials and people. Dispose of it in accordance with local laws and regulations.
15. Keep the power station out of the reach of children and pets.
16. Keep the power station in a dry and ventilated place.
17. In humid environments, such as seaside locations or areas near water, it is advisable to use a moisture-proof bag with the power station. If you discover water inside the power station, refrain from using or starting it again. Take precautions to prevent electric shock before handling the power station. Place it in a safe, waterproof location and promptly contact customer service.
18. It is not recommended to use the power station to provide power for safety-critical emergency medical equipment, such as medical-grade breathing machines (hospital version CPAP: Continuous Positive Airway Pressure) and artificial lungs (ECMO: Extracorporeal Membrane Oxygenation). However, it is suitable for powering a home version CPAP at home, which does not require continuous professional monitoring. Always follow your doctor's recommendations and consult Energizer Solar for any device usage restrictions. For general medical equipment, please monitor the power levels to ensure power does not run out.
19. Power supplies generate electromagnetic fields that may interfere with implantable medical devices or the normal operation of personal medical devices, such as pacemakers, cochlear implants, hearing aids, and defibrillators.
20. When the power station is connected to a refrigerator, it may automatically shut down because of the power fluctuation property of the refrigerator. When connecting the power supply to a refrigerator that stores medicine, vaccines or other valuable items, it is recommended to set the AC output to "Never off" in the Energizer Solar Portable Power App, so as to ensure continuous power. Users should pay attention to power consumption.
21. During the push-pull movement of this product, it is strongly recommended to avoid placing other items on the power station.

## Discard

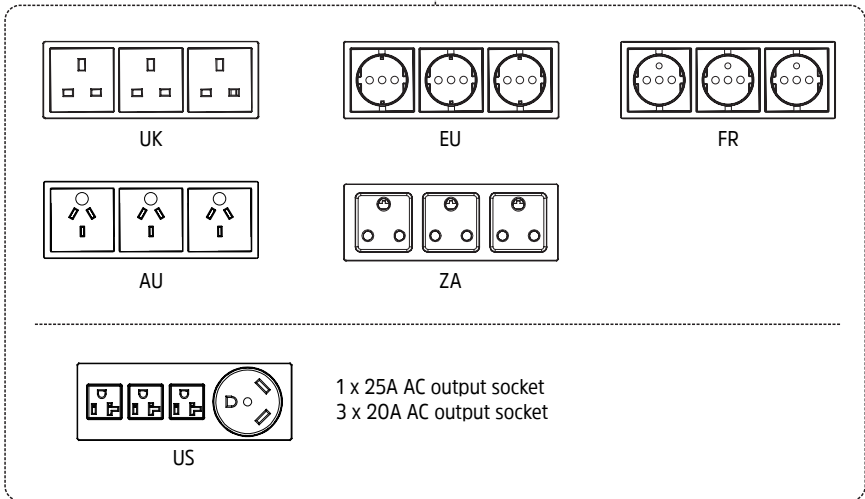
1. When conditions allow, ensure the battery is completely discharged before placing the power station in a designated battery recycling bin. The power station contains potentially hazardous batteries, so it is important not to dispose of them in regular waste bins. Refer to local laws and regulations for guidance on proper battery recycling and disposal procedures.
2. If the battery cannot be fully discharged due to product malfunction, avoid placing it directly in the battery recycling bin. Instead, contact a professional battery recycling company for appropriate disposal.
3. If the battery fails to restart after over-discharging, it should be safely disposed of as waste.

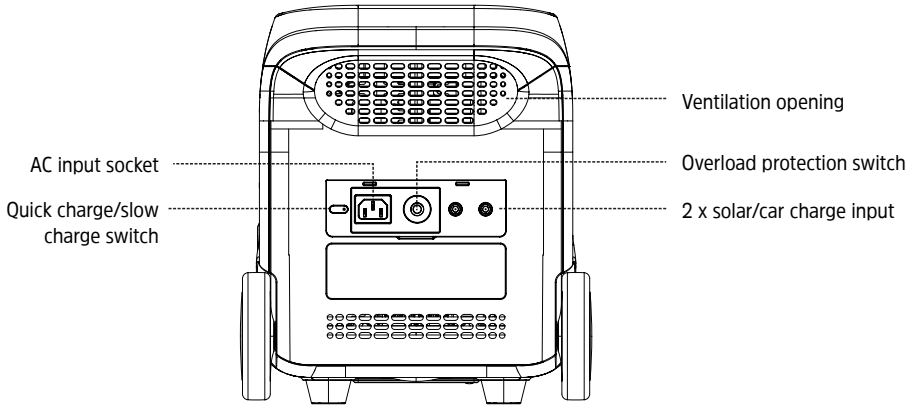
# User Guidelines

## Product Overview

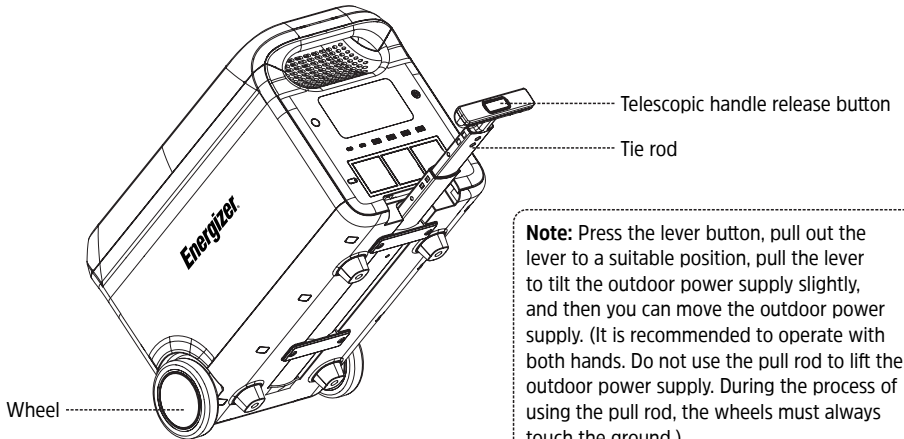
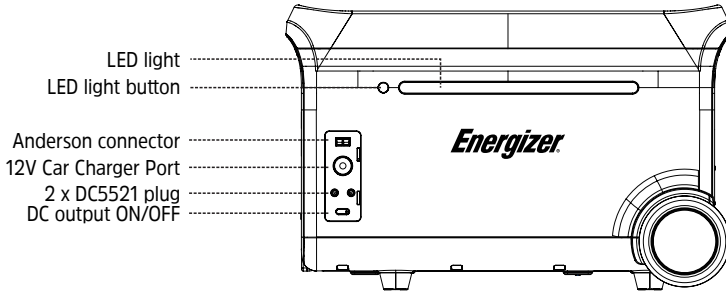


AC output sockets



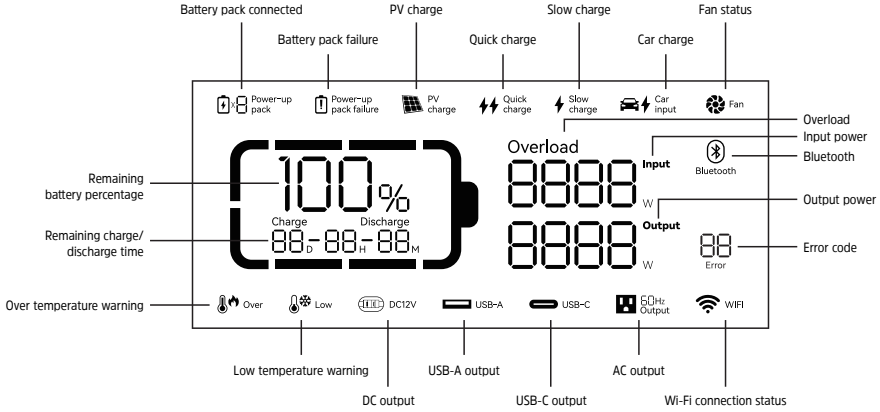


US AC plug show above



**Note:** Press the lever button, pull out the lever to a suitable position, pull the lever to tilt the outdoor power supply slightly, and then you can move the outdoor power supply. (It is recommended to operate with both hands. Do not use the pull rod to lift the outdoor power supply. During the process of using the pull rod, the wheels must always touch the ground.)

## LCD Screen



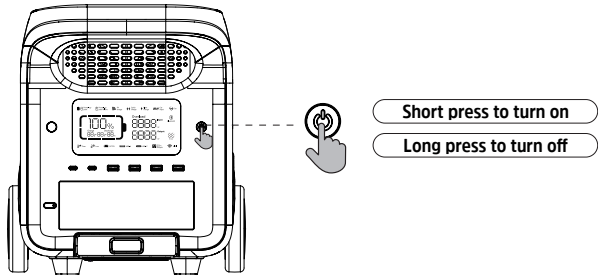
**Battery capacity:** When the power station is being charged, the SOC icon will flicker.

**Wi-Fi connection status:** The flickering icon indicates that power station is ready for pairing. The icon will keep flickering if a mobile phone and power station are connected by hotspot. After network connection succeeds, the icon will always be on. If connection fails, the icon will be off.

\* Please refer to Error Messages & Solutions for more details regarding error messages.

## How to Use

**Note:** Long press the ON/OFF button to restart the BMS and clear the fault information.



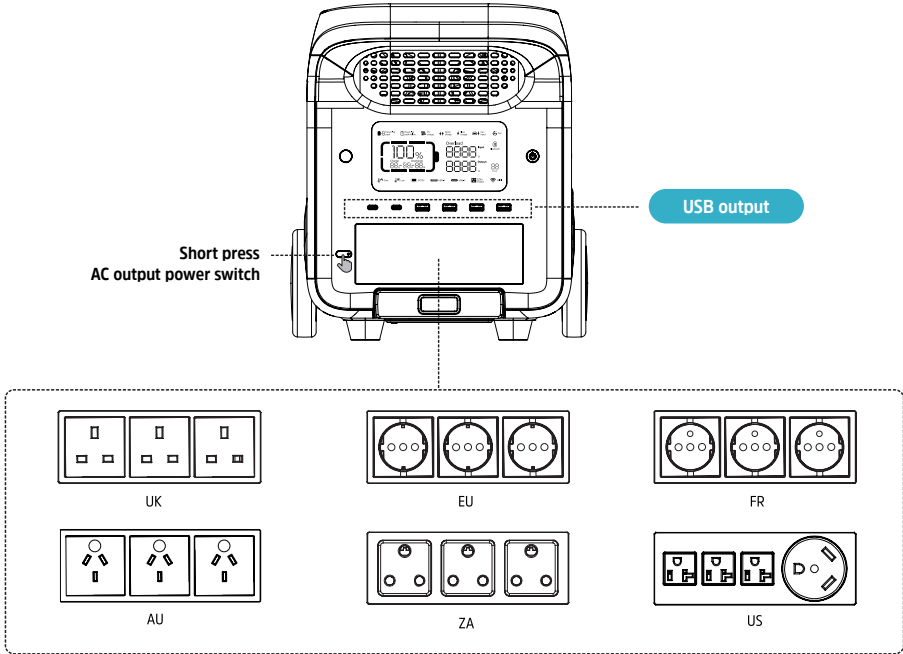
### On and Off

- Press the main power switch to turn on the device, then the screen will be lit and the main power indicator will enter the slowly blinking light mode.
- If no operation is performed to the power station for 5 minutes, the power station will enter hibernation state and the LCD will automatically turn off. When there is load change or operation to the power station, the LCD screen will illuminate automatically. Press the main power switch to turn on or turn off the LCD.
- Press and hold the main power switch to toggle the LCD on or off.
- In the normal mode (the power is above 5%), the default standby time of this product is 2 hours; when the AC output switch is not turned on, and there is no charge or discharge for 2 hours, the product will automatically shut down, and the standby time can be set it on the Energizer Solar Portable Power App; when the power is 5% or below, the product will be forced to enter the low power mode. In the case of no charge or discharge, the product will adjust the standby time according to the power and automatically shut down.



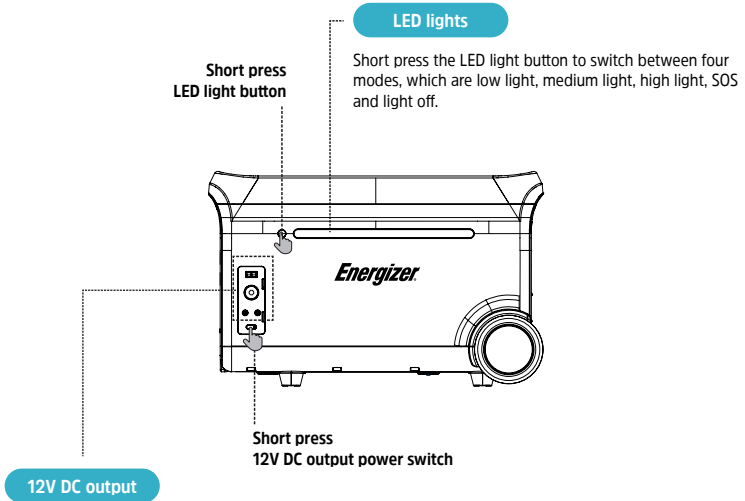
- In normal mode, long press the LED light button to exit the automatic shutdown setting, and the battery icon (🔋) on the screen will flash. Long press again to enter the automatic shutdown setting, and the battery icon (🔋) will not flash. The automatic shutdown setting is to protect the battery from low power, exiting this setting may damage the battery life, please use it with caution.

**Note:** With no AC input active, long press the above AC output button, you can switch the AC off-grid output frequency (🔌 Sch. Output / 🔌 Sch. Output), long press 2s to switch, the AC output icon will flash 3 times after successful switching.



### AC output

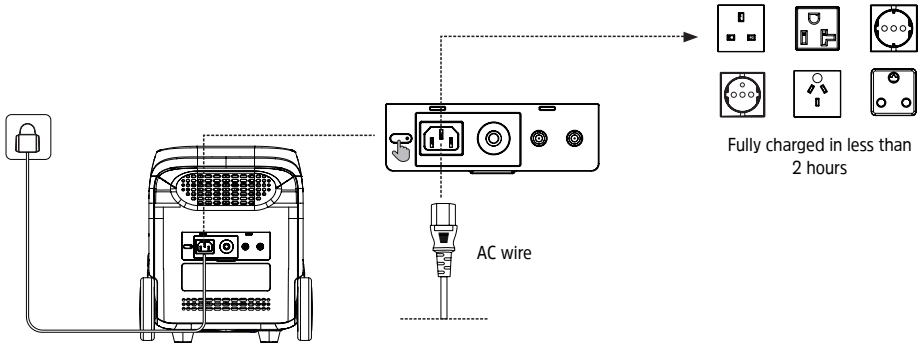
- After ensuring that the main power is turned on, short press the AC output power switch to turn on the AC output. Short press the AC output power switch again to turn it off.
- The default standby time of the AC output port is 1 hour. After 1 hour without any load on the AC output port of this product, the AC output power will be automatically turned off. In normal mode, long press the LED light button, the AC output power switch can exit the automatic shutdown setting, and the battery icon (🔋) on the screen will flash. Long press again, the AC output power switch enters the automatic shutdown setting, and the battery icon (🔋) does not flash.
- Long press the LED light button to exit the AC automatic shutdown setting; it is applicable to AC equipment below 10W and pulse working equipment.
- When the AC output is not in use, turn it off to save power consumption.



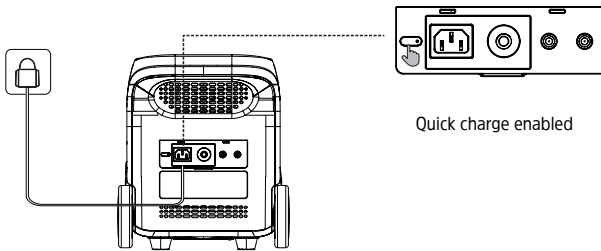
- After the main power switch is turned on, press the 12V DC output power switch to enable the DC output port.
- Press the 12V DC output power switch again to turn it off.
- When the 12V DC output power switch is turned on, the power station does not shut down automatically.

## AC Charging

Quick charging technology is designed for AC charging. You can control the charging power via the AC charging speed switch. The slow charge mode is on by default when power station is turned on, and can be switched to quick charge mode by the button. Quick and slow charging mode switching can also be set by the Energizer Solar Portable Power App. If the current is continuously higher than 20A, the charging input port will start the self-protection function, and the charging overload protection switch will automatically trip. Press the charge overload protection switch to restore charging after confirming no fault.



Quick charge and slow charge can be switched by the button.

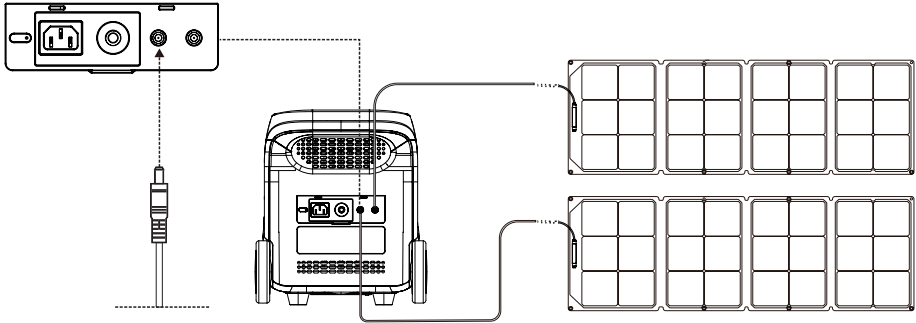


### The charging power range can be adjusted by the Energizer Solar Portable Power App.

Please use the standard AC charging cable for fast charging. The AC charging cable should directly plug into a 10A (or above) wall-mounted socket. Energizer Solar is not liable for any damages resulting from the use of unofficial AC charging cables or failure to follow instructions.

Note: When AC charging through the power station (US model), please use the official standard AC charging cable for charging, the AC charging cable plug needs to be directly connected to the wall plug that supports more than 15A current. Energizer Solar is not liable for any damages resulting from the use of unofficial AC charging cables or failure to follow instructions.

## PV Charging



Solar panels can be used to charge the power station as shown in the above diagram

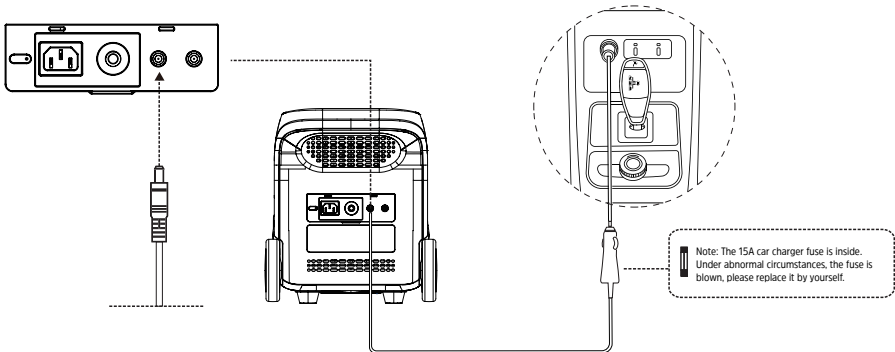
**Dual solar panels supported.**

### \*Solar charging cable (DC7909)

- Please follow the Energizer Solar Sunpack user manual to connect the solar panels.
- Before connecting the solar panel/s, check whether its output voltage is within the power station specifications to avoid damage to power station.

\*The interface of this product is DC7909. If you need an adapter cable from MC4 to DC7909, please contact Energizer Solar at [www.energizersolar.com](http://www.energizersolar.com) on how to purchase.

## Car Charging



### \*Car charging cable (DC7909)

The power station can be charged by a car charging port. It should be charged after the car starts, so as to avoid the car battery loss and failure to start. At the same time, ensure good connection between the car charging port and cigarette lighter. We take no responsibilities for any loss caused by improper operation.


## Battery Expansion

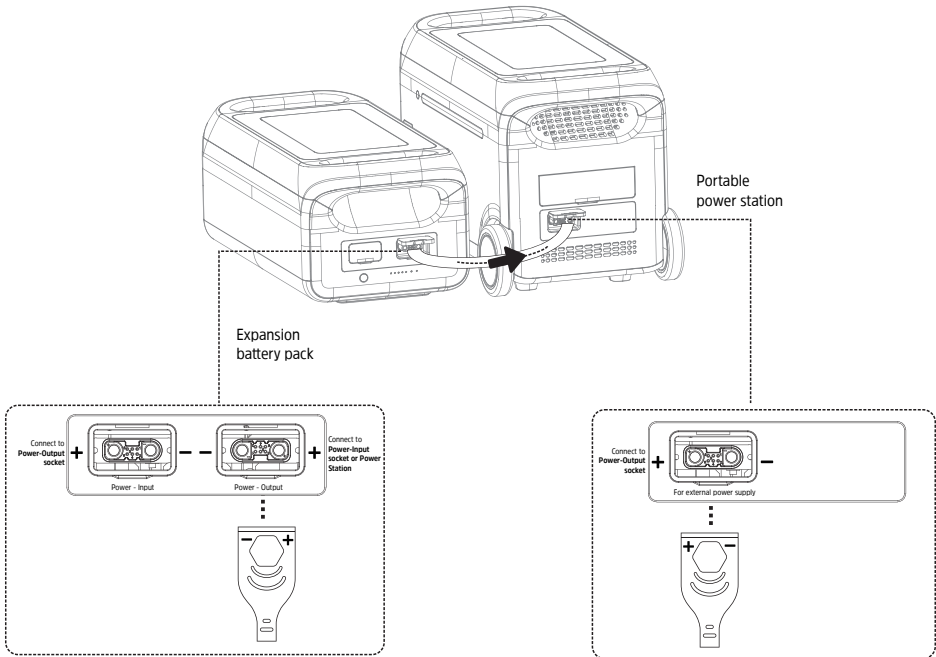
Up to six battery expansion packs can be connected simultaneously for greater capacity requirements.

### Please note the following when using

- Before connecting the expansion battery pack, please ensure that the power station and the expansion battery pack are both turned off.
- After connecting the expansion battery pack, make sure that the number of parallel expansion battery pack icon appears on the LCD of the power station before starting to use it.
- Please do not connect or remove the power station. Directly during the charging and discharging process, if you need to connect or remove the expansion battery pack in process, please turn off the power first and then operate.
- Do not touch the metal terminal at the connection port of the expansion battery pack with your hands or other objects. If terminals are dirty, ensure the battery is turned off prior to cleaning.

### 1 portable power station and 1 expansion battery pack in parallel mode

1. Turn off the power station and expansion batteries before being paralleled.
2. The parallel connection cable is plugged into the expansion port of the portable power station and the Power Output of the expansion battery pack.
3. After the parallel connection is completed, press the switch button  of the portable power station to activate the parallel power station and the expansion battery pack to display the current capacity. When the power station shows the paralleled quantity, then the parallel capacity expansion has been successful.
4. After the parallel connection is completed, connect the corresponding outlet of the portable power station to charge or discharge (refer to the Energizer Solar Peak 3000 Power Station User Manual).

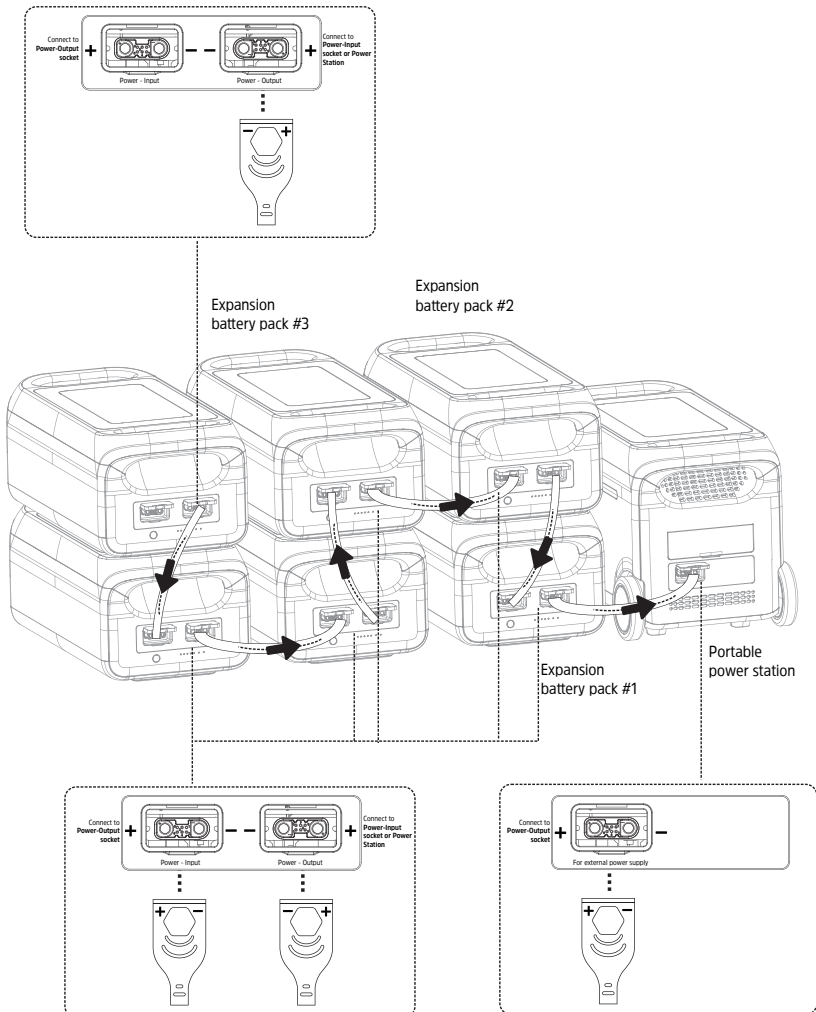


### Remark

There are + and - symbols on battery packs and cables in case of reverse polarities

1 portable power station with multiple expansion battery packs in parallel:

1. Turn off the power station and expansion batteries before being paralleled.
2. The parallel connection cable is plugged into the expansion port of the portable power station and the Power Output of Expansion Battery Pack#1, the Power Input of Expansion Battery Pack#1 is connected to the Power Output of Expansion Battery Pack#2, the Power Input of Expansion Battery Pack#2 is connected to the Power Output of Expansion Battery Pack#3, and so on for up to six expansion battery packs in parallel.
3. After the parallel connection is completed, press the switch button on the portable power station to activate the parallel portable power station. The expansion battery pack will display the total capacity level including the additional expansion batteries and the number of expansion batteries in use.
4. After the parallel connection is completed, connect the corresponding outlet of the portable power station to charge or discharge (refer to the Energizer Solar Peak 3000 Power Station User Manual).



**Remark**

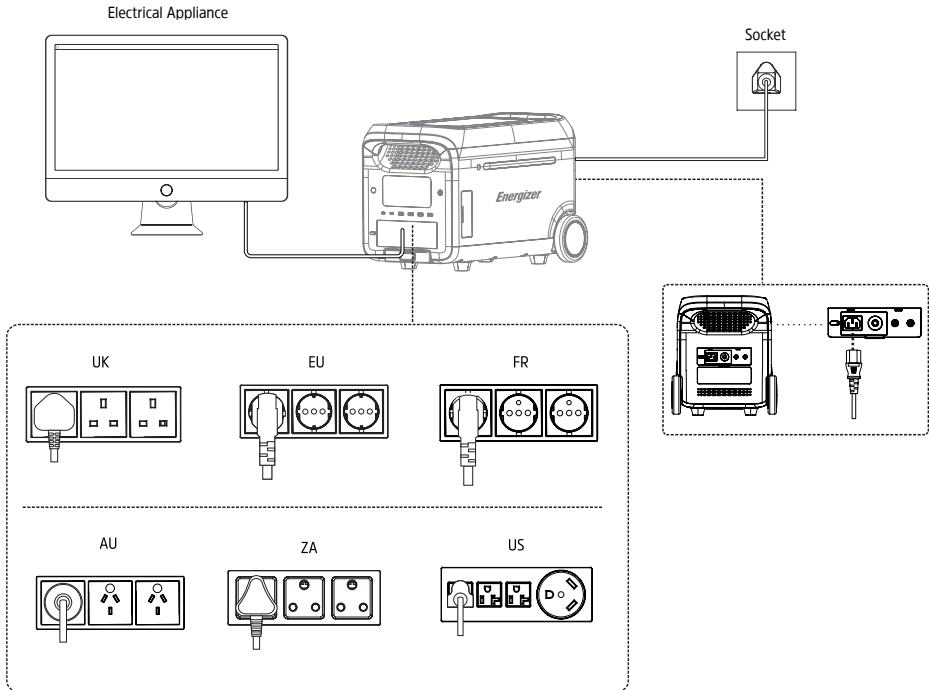
There are + and - symbols on battery packs and cables in case of reverse polarities

## Energizer Solar Portable Power App

You are able to view information and data and control this product via the Energizer Solar Portable Power App. To download the app, search for [Energizer Solar Portable Power] in the Google App Store or Apple App Store. Once downloaded, create an account and register your product to manage and control how you use your Energizer Solar Portable Power Station. For WiFi connection instructions, visit [www.energizersolar.com](http://www.energizersolar.com) and go to the resources page.

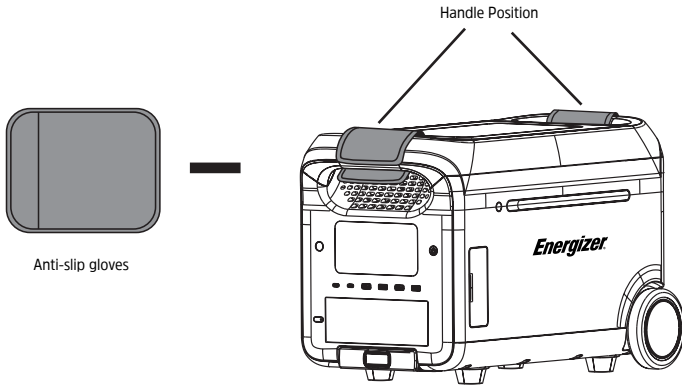
## UPS Function

This product supports the UPS function when you are connecting the product to the power grid via the AC input port of this product through the AC charging cable. When connected to the power grid, the appliance can use the AC output port of the product. At this time, it is in bypass mode (AC power from the grid, not the battery); when the grid suddenly loses power, the product can automatically switch to the battery-powered mode within 14ms, which is the inverter mode (the AC power comes from the battery, not the grid). Please do not connect it to devices that require high uninterrupted power supply, such as data servers and workstations. Only use the product for this purpose after multiple tests to confirm whether it is compatible. It is recommended to use only one connected device when using this mode, and do not connect multiple devices at the same time to avoid overload protection of the product. If the device does not operate normally or data is lost due to failure to follow the instructions, our company will not bear the corresponding responsibility.



## Anti-slip Gloves

Two anti-slip gloves are wrapped in the front and rear handles to prevent slipping.



## FAQ's

1. **What kind of battery is used?**  
Lithium iron phosphate battery (LiFePO4).
2. **What equipment can be connected to the AC output ports?**  
The AC output has high rating power and maximum power, which enables it to supply power to most household appliances. Suggest check the equipment power prior to connecting and make sure power of all equipment lower than rated power.
3. **How to know the supply time?**  
Time shows in the LCD, which can be referred to for estimation for equipment with stable power consumption.
4. **How to know it is charging?**  
When in charge, the LCD shows remaining charging time. The SOC flickers, and input power is shown.
5. **How to clean the unit?**  
Clean the unit with a microfibre cloth.
6. **How to store the unit?**  
Turn it off, and keep it in a dry and ventilated place. Do not expose it close to water. For long-term storage, it is recommended to discharge to 0% and charge to 100% every 3 months to extend the service life.
7. **Can it be taken on a plane?**  
No, the Energizer Solar Peak 3000 does not comply with aviation standards.



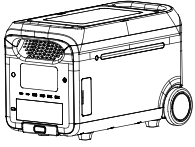
# Error Messages & Solutions

Icon	Fault Description	Solution
01 Error	Serious battery fault	Turn on and off, contact after sales if still not fixed.
02 Error	$\Delta V$ too big	Auto shutdown, fault will be cleared after reboot.
03 Error	BMS voltage	Auto shutdown, fault will be cleared after reboot.
 Over 04 Error	Battery over temperature	Auto shutdown, temperature recovery enables starting up.
 Low 05 Error	Battery under temperature	Auto shutdown, temperature recovery enables starting up.
06 Error	Over current protection	Auto shutdown, fault will be cleared after reboot.
 Over 07 Error	Over temperature	Auto shutdown, delayed start.
08 Error	Pre-charge fault	Auto shutdown, fault will be cleared after reboot.
09 Error	Battery under voltage fault	Auto shutdown and charge, contact after sales if still not fixed after multiple charging failures.
10 Error	Abnormal parallelization	Check the connection cable. Contact after sales if still not fixed. Single power station function is not affected.
11 Error	Abnormal INV battery voltage	Auto recover after fault is cleared.
12 Error	Grid voltage or frequency fault	The fault is cleared when the grid returns to normal.
13 Error	Abnormal INV BUS voltage	Auto recover after fault is cleared.
14 Error	Abnormal INV output	Auto recover after fault is cleared.
Overload 15 Error	INV discharge overload	Remove over-power device. Auto recover after fault is cleared.
Overload 16 Error	Charge overload	Auto recover after fault is cleared.
17 Error	INV Tz	Auto recover after fault is cleared.
18 Error	Battery short	Fault will be cleared after reboot.
19 Error	INV output short	Fault will be cleared after reboot.
 Over 20 Error	MOSFET OTP fault	Auto recover after product is cooled down.

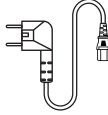
Icon	Fault Description	Solution
21 Error	Fan stop	Turn on and off, contact after sales if still not fixed.
22 Error	Discharge soft start fault	Auto recover after fault is cleared.
23 Error	Charge soft start fault	Auto recover after fault is cleared
 Low 24 Error	MOSFET UTP fault	Turn on and off, contact after sales if still not fixed.
25 Error	Anderson hardware OCP fault	Remove PV charge, auto recover after connecting PV and turn on.
26 Error	Anderson software OCP fault	Turn off output, manual recover after fault is cleared.
27 Error	PV hardware OCP fault	Remove PV charge, auto recover after connecting PV and turn on.
28 Error	PV1 software OCP fault	Stop PV1 charging, auto recover after connecting PV and turn on.
29 Error	PV2 software OCP fault	Stop PV2 charging, auto recover after connecting PV and turn on.
30 Error	Car charge output OCP fault	Turn off output, manual recover after fault is cleared.
31 Error	PV output OVP (over voltage protection) fault	Stop PV. Auto recover after fault is cleared.
32 Error	PV1 input OVP fault	Stop PV1. Auto recover after fault is cleared.
33 Error	PV2 input OVP fault	Stop PV2. Auto recover after fault is cleared.
 Over 34 Error	Anderson OTP fault	Turn off output, manual recover after fault is cleared.
 Over 35 Error	PV1 OTP fault	Stop PV1. Auto recover after fault is cleared.
 Over 36 Error	PV2 OTP fault	Stop PV2. Auto recover after fault is cleared.
38 Error	Car charge output OTP fault	Turn off output, manual recover after fault is cleared.
 Over 37 Error	Abnormal communication	Turn on and off, or change operation environment. Contact after sales if still not fixed.
 USB-A 39 Error	Abnormal USB	Auto recover after removing abnormal USB.
 USB-C 40 Error	Abnormal type C	Auto recover after removing abnormal type C.

If there is a warning occurs during the use of this product, and the warning icon still does not disappear after restarting the device, please stop using it immediately (do not try to charge or discharge). If none of the above information can solve problem you encounter, please contact Energizer Solar at [www.energizersolar.com](http://www.energizersolar.com)

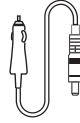
## What's in the Box



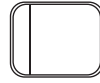
Power station



AC cable



Car charging cable



Anti-slip gloves

## Maintenance

- It is recommended to use or store the power station between the optimum operating temperature range. Ensure it is kept away from water, heaters, and metal surfaces.
- For long-term storage, charge and discharge every 3 months, i.e. discharge to 0% then charge to 100%.
- For safety reasons, avoid storing the power station at temperatures above 45°C (113°F) or below -20°C (4°F).
- If the capacity is lower than 1%, please charge to 60%. Long-term storage with serious power shortage will cause irreversible damage to the battery cells and shorten the service life of the product. Products that have not been charged and discharged for more than 6 months are not warranted.
- If the battery capacity becomes critically low, and the device remains idle for an extended period, the product will enter deep sleep mode and can only be used again after being recharged.
- After charging or discharging this product, you must wait for more than 30 minutes before using it.

## Disclaimer

- The product features a built-in battery management system, which has various protection measures, including overcharge, overdischarge, overcurrent, short circuit, high and low temperature, and abnormal communication. During the use of this product, these protection mechanisms may activate and temporarily cause output interruption. Any potential loss stemming from accidental power interruptions while supplying power to specific equipment, such as medical devices or servers, is not the responsibility of Energizer Solar.
- Before using the power station, please read this user manual to ensure understanding and proper use. After reading the user manual, please keep it safe for future reference. Improper operation may cause serious injury to yourself or others, or result in product damage and property loss. Once using the power station, you are deemed to have understood and accepted all terms and contents herein. Users are expected to take responsibility for their actions and any resulting consequences. Energizer Solar is not responsible for any losses that may occur if users do not adhere to the instructions in this user manual.
- In compliance with laws and regulations, the company reserves the right of final interpretation of this document and all related documents of this product. Subject to update, revision or termination without prior notice, please visit [www.energizersolar.com](http://www.energizersolar.com) for the latest product information.

# Contenu

<b>Paramètres</b>	<b>1</b>
<hr/>	
<b>Conseils de sécurité</b>	
<hr/>	
Avertissement	2
Mise au rebut	3
<b>Directives d'utilisation</b>	
<hr/>	
Schéma du produit	4
Écran LCD	6
Comment utiliser le produit	6
Chargement AC	9
Chargement PV	10
Chargement voiture	10
Batterie d'extension	11
Appli. Energizer Solar Portable Power	11
Fonction UPS	12
Gants antidérapants	12
<b>FAQ</b>	<b>13</b>
<hr/>	
<b>Messages d'erreur &amp; solutions</b>	<b>15</b>
<hr/>	
<b>Contenu du colis</b>	<b>15</b>
<hr/>	
<b>Entretien</b>	<b>15</b>
<hr/>	
<b>Clause de non responsabilité</b>	
<hr/>	

# Paramètres

<b>Général</b>	
Poids net	34kg (75lbs)
Dimensions (L x H x P)	536 x 303 x 343 mm (21,1" x 12" x 13,5")
Capacité de la batterie	2560Wh 51,2V $\approx$ , 50Ah
WiFi	Supporté
<b>Sortie (EU/FR/AU/ZA)</b>	
3 x sorties AC (mode onduleur)	Onde sinusoïdale pure, total 3000W (crête 5000W), 220-240V~(50/60Hz), 16A
Sortie AC (mode bypass)	220-240V~(50/60Hz), 2300W Max, 10A Max
<b>Sortie (UK)</b>	
4 x sorties AC (mode onduleur)	Onde sinusoïdale pure, total 3000W (crête 5000W), 220-240V~(50/60Hz), 13A
Sortie AC (mode bypass)	220-240V~(50/60Hz), 2300W Max, 10A Max
<b>Sortie (US)</b>	
4 x sorties AC (mode onduleur)	Sortie AC (x3): 100-120V~(60Hz), 20A 2400W Sortie AC (x1): 100-120V~(60Hz), 25A 3000W
Sortie AC (mode bypass)	100-120V~(60Hz), 1800W Max, 15A Max
<b>Autres sorties</b>	
2 x USB-A	5V $\approx$ 2,4A, 12W Max
2 x USB-A charge rapide	5V $\approx$ 3A, 9V $\approx$ 2A, 12V $\approx$ 1,5A, 18W Max
2 x USB-C	5/9/12/15V $\approx$ 3A, 20V $\approx$ 5A, 100W Max
Sortie borne Anderson	12,6V $\approx$ 30A, 378W Max
Chargeur voiture	12,6V $\approx$ 10A, 126W Max
2 x sortie DC5521	12,6V $\approx$ 3A

\* Charge voiture et DC DC5521 partagent la puissance, 126W Max.

\* Mode onduleur : la puissance de la sortie AC provient de la batterie, pas de la grille.

\* Mode bypass : la puissance de la sortie AC provient de la grille, pas de la batterie.

<b>Entrée (UK/EU/FR/AU/ZA)</b>	
Puissance entrée AC	2300W Max, 10A
Tension entrée AC	220-240V~(50/60Hz)
<b>Entrée (US)</b>	
Puissance entrée AC	1800W Max, 15A
Tension entrée AC	100-120V~(60Hz)
<b>Autres entrées</b>	
2 x panneaux PV	13-45V $\approx$ 12A, 800W Max
Entrée port voiture	12V/24V supporté par la batterie, 8 A par défaut

## Paramètres

<b>Charge entrée (UK/EU/FR/AU/ZA)</b>	
Puissance charge AC	2000W Max
<b>Charge entrée (US)</b>	
Puissance charge AC	1800W Max
<b>Autre charge entrée</b>	
2 x puissance charge PV/voiture	800W Max
Puissance charge AC+PV	2560W Max
<b>Batterie</b>	
Type de cellule	Batterie lithium fer phosphate (LiFePO <sub>4</sub> )
Durée de vie	4000 cycles
Type de protection	Protection contre la surchauffe, contre la température excessivement basse, contre la décharge, contre la surcharge, contre les courts-circuits, contre la surtension
<b>Températures de fonctionnement</b>	
Température de fonctionnement optimale	20°C ~ 30°C (68°F ~ 86°F)
Température ambiante décharge	-20°C ~ 45°C (-4°F ~ 113°F)
Température ambiante charge	0°C ~ 45°C (32°F ~ 113°F)
Température ambiante stockage	-20°C ~ 45°C (-4°F ~ 113°F)

\*La possibilité de charger ou de décharger le produit dépend de la température réelle du bloc-batterie.

<b>Batterie d'extension</b>	
Puissance entrée/sortie	40-58,8V=50A charge (Max.), décharge 70A
Énergie nominale	2560Wh, supporte un maximum de 6 batteries

## Directives de sécurité

### Avertissement

1. Ne laissez pas la station d'alimentation électrique en fonctionnement près d'une source de chaleur telle qu'un feu ou un radiateur.
2. Ne laissez pas le bloc-batterie d'extension entrer en contact avec un liquide. N'immergez pas ce produit dans l'eau ou se mouiller. N'utilisez pas ce produit sous la pluie ou dans un environnement humide.
3. N'utilisez pas la station d'alimentation électrique dans un lieu à fort environnement électrostatique ou magnétique.
4. Ne démontez pas la station d'alimentation électrique de quelque manière que ce soit et ne la percez pas à l'aide d'un objet pointu.
5. N'utilisez pas de fils ou autres objets métalliques pour court-circuiter le produit.
6. Évitez de marcher, de vous asseoir ou de grimper sur la station d'alimentation électrique.
7. N'utilisez pas de pièces ni accessoires qui ne sont pas fournis officiellement. Si une pièce de rechange est nécessaire, veuillez contacter Energizer Solar sur [www.energizersolar.com](http://www.energizersolar.com).
8. Lorsque vous utilisez la station d'alimentation électrique, suivez les recommandations de température indiquées dans

ce manuel d'utilisation. Des températures excessivement élevées peuvent entraîner un risque de combustion de la batterie, tandis que des températures excessivement basses compromettent considérablement la performance de la station d'alimentation électrique et peuvent affecter son fonctionnement normal.

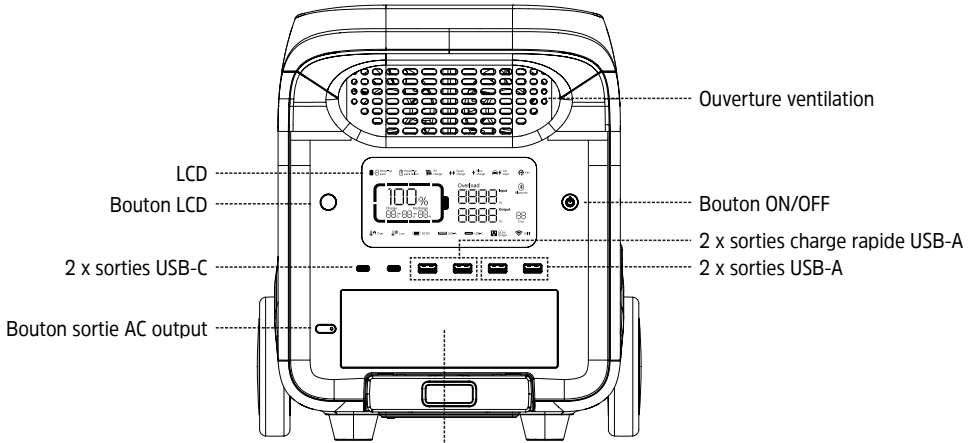
9. Ne placez pas d'objets lourds sur le dessus de la station d'alimentation électrique.
10. N'arrêtez pas le ventilateur de force et n'exposez pas la station d'alimentation électrique à des environnements non ventilés ou poussiéreux pendant qu'il est en fonctionnement.
11. Évitez de faire tomber le produit ou de le soumettre à de fortes vibrations. En cas de choc sévère, éteignez immédiatement la station d'alimentation électrique. Veillez à sécuriser la station d'alimentation électrique pendant le transport pour éviter les vibrations et les chocs.
12. Si la station d'alimentation électrique tombe accidentellement dans l'eau, placez-la dans un lieu sûr et spacieux et maintenez une distance de sécurité jusqu'à ce qu'elle soit totalement sèche. Même une fois le produit sec, ne tentez pas de l'utiliser à nouveau. Mettez-le au rebut de la manière indiquée dans la section « Mise au rebut » de ce manuel d'utilisation. Si la station d'alimentation électrique est en feu, veuillez appliquer les méthodes d'extinction recommandées dans l'ordre suivant : eau ou brume d'eau, sable, couverture anti-feu, poudre sèche, extincteur au dioxyde de carbone.
13. Si la surface est souillée, nettoyez-la à l'aide d'un chiffon en microfibre.
14. Manipulez la station d'alimentation électrique avec soin pour éviter les dommages. En cas d'impact sévère provoquant le basculement de la station d'alimentation électrique, éteignez-la immédiatement. Placez la station d'alimentation électrique dans une zone bien ventilée, à l'écart de tout matériau inflammable et des personnes. Mettez-la au rebut en conformité avec la réglementation locale.
15. Veuillez ranger ce produit à l'abri des enfants et des animaux domestiques.
16. Veuillez ranger la station d'alimentation électrique dans un lieu sec et ventilé.
17. Dans des environnements humides tels que le bord de mer ou près d'un point d'eau, il est conseillé d'utiliser un sac étanche à l'humidité avec la station d'alimentation électrique. Si vous découvrez de l'eau à l'intérieur de la station d'alimentation électrique, évitez de l'utiliser à nouveau ou de la redémarrer. Prenez les précautions nécessaires pour éviter les décharges électriques avant de manipuler la station d'alimentation électrique. Placez-la dans un lieu sûr et étanche et contactez rapidement le service client.
18. Il n'est pas recommandé d'utiliser la station d'alimentation électrique pour fournir de l'électricité des équipements médicaux essentiels à la sécurité tels que des machines respiratoires de qualité médicale (CPAP version hospitalière : Continuous Positive Airway Pressure) et des poumons artificiels (ECMO : Extracorporeal Membrane Oxygenation). Elle est toutefois adaptée à l'alimentation d'une version domestique d'une machine CPAP, qui ne nécessite pas de surveillance médicale continue. Suivez toujours les recommandations de votre médecin et consultez Energizer Solar pour obtenir des renseignements sur les restrictions d'utilisation d'un appareil. Pour l'équipement médical général, surveillez les niveaux de puissance pour vous assurer de ne pas manquer de courant.
19. Les alimentations électriques génèrent des champs magnétiques susceptibles d'interférer avec des dispositifs médicaux implantables ou avec le fonctionnement normal de dispositifs médicaux personnels tels que des pacemakers, implants cochléaires, aides auditives et défibrillateurs.
20. Lorsque la station d'alimentation électrique est reliée à un réfrigérateur, celui-ci peut s'éteindre automatiquement en raison de la fluctuation de puissance propre au réfrigérateur. Lors du branchement de l'alimentation électrique à un réfrigérateur utilisé pour stocker des médicaments, des vaccins ou d'autres produits de valeur, il est recommandé de positionner la sortie AC sur « Jamais éteint » dans l'application Energizer Solar Portable Power afin d'assurer une alimentation continue en courant. Les utilisateurs doivent prêter attention à la consommation d'électricité.
21. Pendant le mouvement de poussée et de traction de ce produit, il est fortement recommandé d'éviter de placer d'autres objets sur la station d'alimentation électrique..

## Mise au rebut

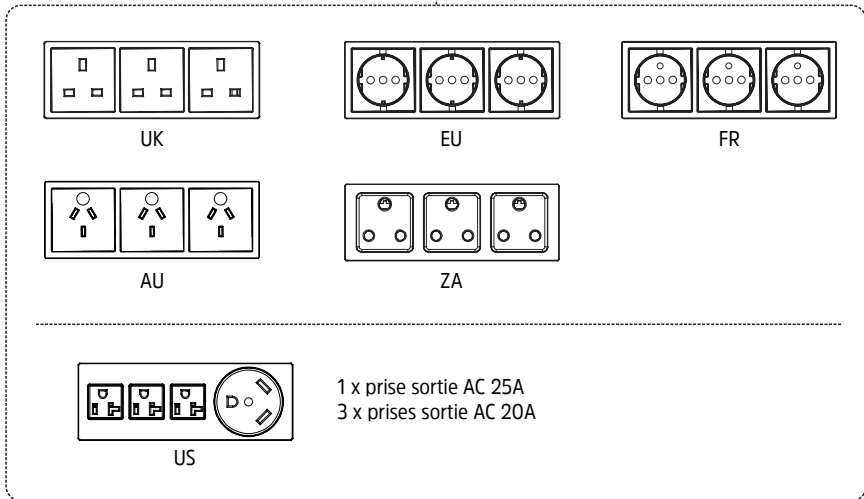
1. Lorsque les conditions le permettent, assurez-vous que la batterie est entièrement déchargée avant de placer la station d'alimentation électrique dans un bac de recyclage de batteries. La station d'alimentation électrique contient des batteries potentiellement dangereuses, il est donc important de ne pas les jeter dans des poubelles ordinaires. Consultez les réglementations locales pour vous renseigner sur le recyclage et les procédures de mise au rebut de batteries.
2. Si la batterie ne peut pas être entièrement déchargée en raison d'une défaillance du produit, évitez de la placer directement dans un bac de recyclage de batteries. Contactez plutôt une société spécialisée dans le recyclage de batteries afin qu'elle soit mise au rebut dans les règles.
3. Si la batterie ne redémarre pas après une sur-décharge, elle doit être jetée de manière sûre.

# Directives d'utilisation

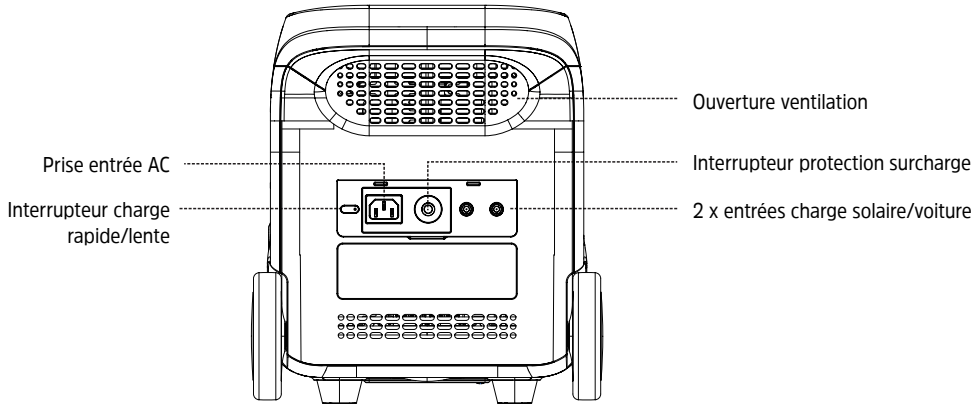
## Schéma du produit



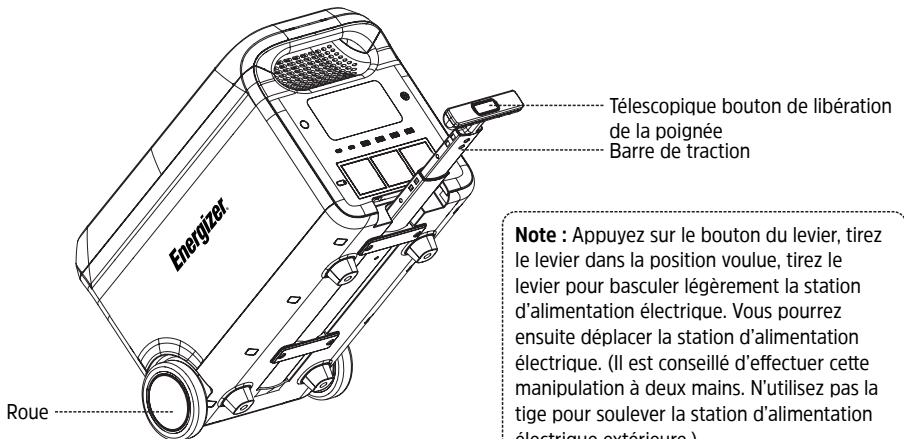
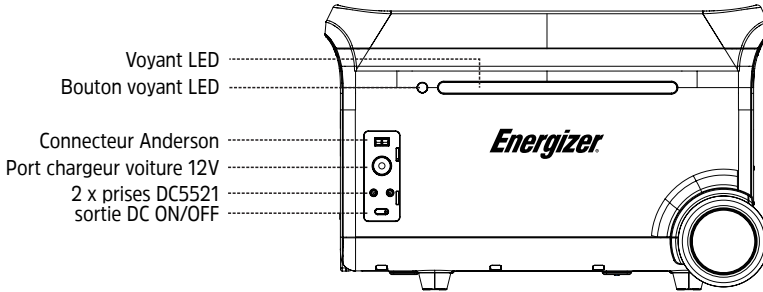
### Prises sortie AC





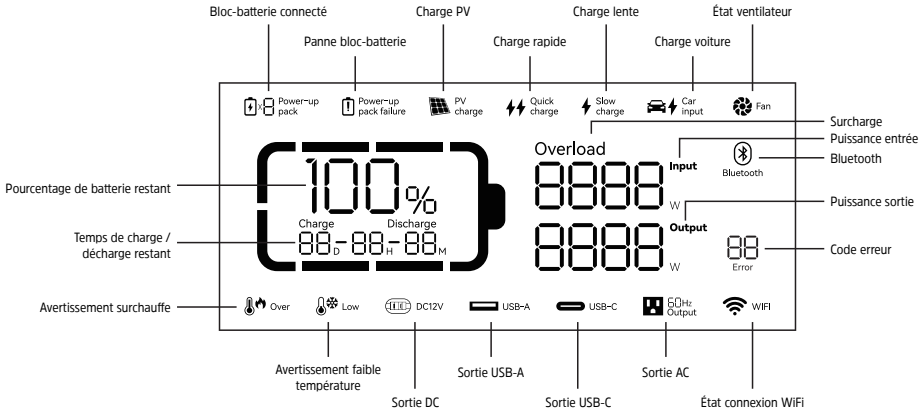


US AC plug show above



**Note :** Appuyez sur le bouton du levier, tirez le levier dans la position voulue, tirez le levier pour basculer légèrement la station d'alimentation électrique. Vous pourrez ensuite déplacer la station d'alimentation électrique. (Il est conseillé d'effectuer cette manipulation à deux mains. N'utilisez pas la tige pour soulever la station d'alimentation électrique extérieure.)

## Écran LCD



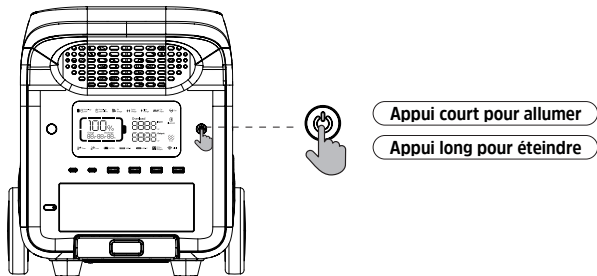
**Capacité de la batterie :** Lorsque la station d'alimentation électrique est en charge, le pictogramme SOC clignote.

**État de la connexion WiFi :** Le pictogramme clignotant indique que la station d'alimentation électrique est prête à l'appariage. Le pictogramme continuera de clignoter si un téléphone portable ou une station d'alimentation électrique est connecté par le biais d'un hotspot. Une fois la connexion réussie, le pictogramme sera toujours allumé. En cas d'échec de la connexion, le pictogramme sera éteint.

\* Pour plus de renseignements concernant les messages d'erreur, veuillez consulter la section « Messages d'erreur & solutions »

## Comment utiliser le produit

**Note :** Appuyez longuement sur le bouton ON/OFF pour redémarrer le BMS et effacer l'indication d'erreur.

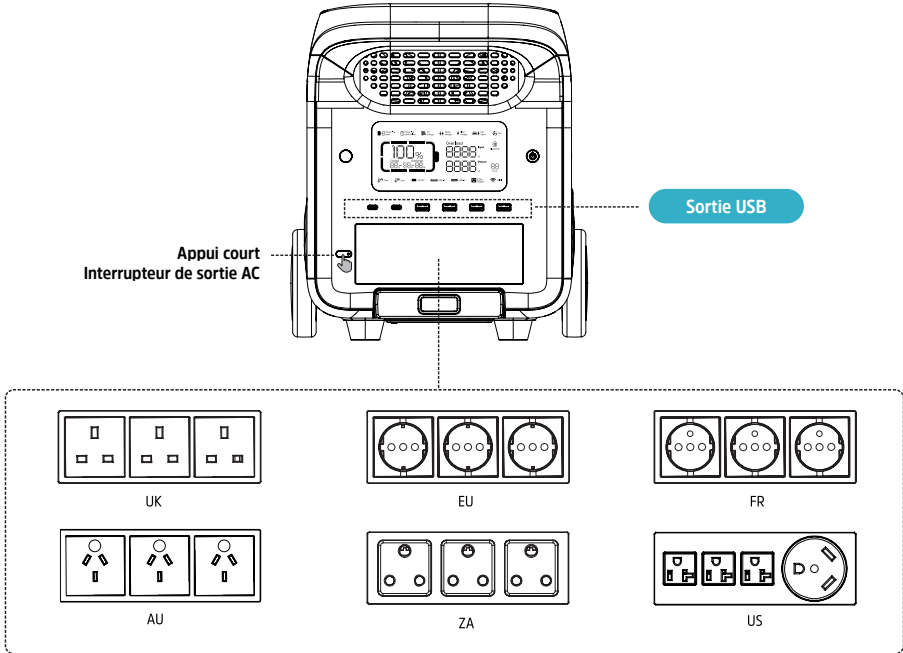


### On et Off

- Appuyez sur l'interrupteur principal pour allumer l'appareil. L'écran s'allumera et le voyant d'alimentation Générale entrera en mode clignotant lent.
- Si aucune action n'est réalisée sur la station d'alimentation électrique pendant 5 minutes, celle-ci entrera en mode d'hibernation profonde et l'écran LCD s'éteindra automatiquement. S'il n'y a aucun changement de charge ou d'utilisation de la station d'alimentation électrique, l'écran LCD s'allumera automatiquement. Appuyez sur l'interrupteur principal pour allumer et éteindre l'écran LCD.
- Appuyez et maintenez l'interrupteur principal pour allumer et éteindre l'écran LCD.
- En mode normal (la puissance est supérieure à 5 %), le temps de veille par défaut du produit est de 2 heures ; lorsque le commutateur de la sortie AC n'est pas allumé et qu'il n'y a aucune charge ou décharge pendant 2 heures, le produit s'éteint automatiquement et le temps de veille peut être réglé sur l'application Energizer Solar Portable Power. Lorsque la puissance est de 5 % ou moins, le produit entrera de force en mode faible puissance. En l'absence de charge ou de décharge, le produit ajustera le temps de veille en fonction de la puissance et s'éteindra automatiquement.

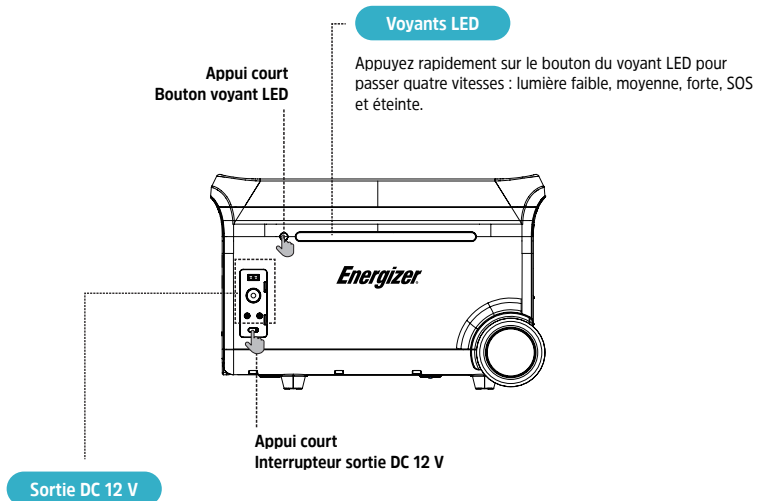
- En mode normal, appuyez longuement sur le bouton du voyant LED pour sortir du paramètre d'extinction automatique et le pictogramme de batterie (🔋) clignotera sur l'écran. Appuyez longuement à nouveau pour entrer en mode d'extinction automatique et le pictogramme de batterie (🔋) ne clignotera plus. Le mode d'extinction automatique est destiné à protéger la batterie contre la faible puissance et sortir de ce mode pourrait affecter la durée de la batterie. Utilisez-le avec prudence..

**Note :** L'entrée AC inactive, appuyez longuement sur le bouton de sortie AC au-dessus pour changer la fréquence de sortie AC hors grille (🔌 50Hz Output / 🔌 60Hz Output), appuyez 2 secondes et le pictogramme de sortie AC clignotera 3 fois après un basculement réussi.



### Sortie AC

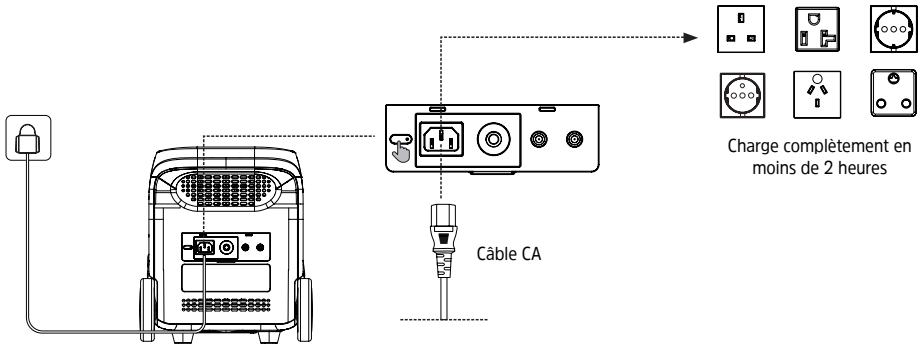
- Après vous être assuré que l'alimentation principale est allumée, appuyez rapidement sur l'interrupteur de sortie AC pour allumer la sortie AC. Appuyez rapidement sur l'interrupteur de sortie AC à nouveau pour l'éteindre.
- Le temps de veille par défaut du port de sortie AC est d'une heure. Après 1 heure sans charge sur le port de sortie AC de ce produit, la sortie AC sera automatiquement éteinte. En mode normal, appuyez longuement sur le bouton du voyant LED pour que l'interrupteur de sortie AC puisse sortir du mode d'extinction automatique. Le pictogramme de batterie (🔋) clignotera sur l'écran. Appuyez à nouveau longuement, l'interrupteur de sortie AC passera automatiquement en mode d'extinction automatique et le pictogramme batterie (🔋) ne clignotera pas.
- Appuyez longuement sur le bouton du voyant LED pour sortir du mode d'extinction automatique : ceci est applicable aux équipements AC en-dessous de 10 W et aux équipements qui travaillent par impulsion.
- Lorsque la sortie AC n'est pas utilisée, éteignez-la pour économiser du courant.



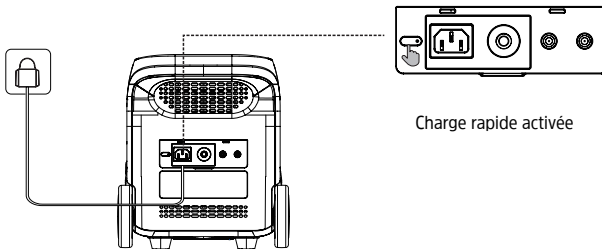
- Une fois l'interrupteur principal allumé, appuyez sur le commutateur de sortie DC 12 V pour activer le port de sortie DC.
- Appuyez sur le commutateur DC 12 V pour l'éteindre.
- Lorsque le commutateur de sortie DC 12 V est allumé, la station d'alimentation électrique ne s'éteint pas automatiquement.

## Chargement AC

La technologie de chargement rapide est conçue pour un chargement AC. Vous pouvez contrôler la puissance de charge par le biais du commutateur de vitesse de chargement AC. Le mode charge lente est allumé par défaut lorsque la station d'alimentation électrique est allumée et peut être basculé en mode charge rapide par le bouton. Les modes de chargement rapide et lent peuvent également être paramétrés dans l'application Energizer Solar Portable Power. Si le courant est continuellement supérieur à 20 A, le port d'entrée de chargement déclenchera la fonction d'autoprotection et l'interrupteur de protection contre la surcharge disjonctera automatiquement. Appuyez sur l'interrupteur de protection contre la surcharge pour restaurer la charge après vous être assuré de l'absence d'erreur.



Les modes de charge rapide et charge lente peuvent être changés par le biais du bouton.

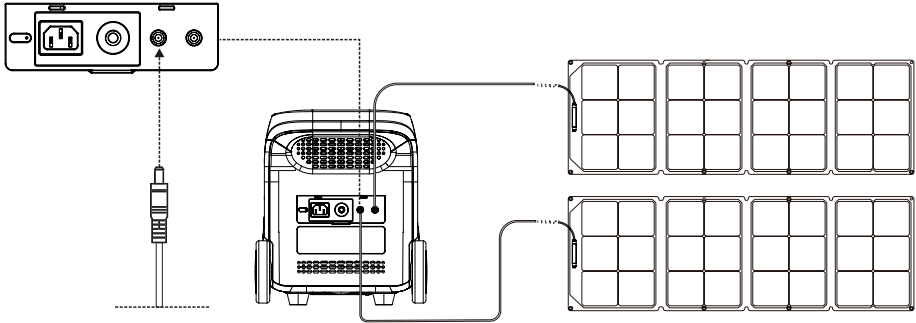


### La plage de puissance de charge peut être ajustée dans l'application Energizer Solar Portable Power.

Pour la charge rapide, veuillez utiliser le câble de charge AC standard. Le câble de charge AC doit être branché directement dans une prise murale de 10 A (ou plus). Energizer Solar ne saurait être responsable de tout dommage consécutif à l'utilisation de câbles de charge AC non officiels ou à un manquement à suivre les instructions.

Note : Lorsque vous chargez en AC à travers la station d'alimentation électrique (modèle US), veuillez utiliser le câble de charge AC standard ; la prise pour le câble de chargement AC doit être directement reliée à une prise murale supportant un courant supérieur à 15 A. Energizer Solar ne saurait être responsable de tout dommage consécutif à l'utilisation de câbles de charge AC non officiels ou à un manquement à suivre les instructions.

## Chargement PV



Les panneaux solaires peuvent être utilisés pour charger la station d'alimentation électrique comme indiqué sur le schéma ci-dessus

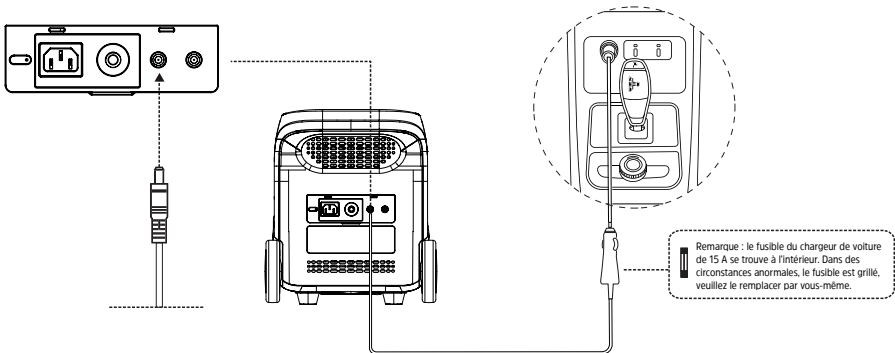
**Doubles panneaux solaires supportés.**

### \*Câble de charge solaire (DC7909)

- Veuillez consulter le manuel d'utilisation Solar Sunpack pour connecter les panneaux solaires.
- Avant de connecter le(s) panneau(x) solaire(s), vérifiez que la(leur) tension sortie est dans la plage des spécifications de la station d'alimentation électrique, afin d'éviter endommager cette dernière.

\*L'interface de ce produit est DC7909. Si vous avez besoin d'un câble adaptateur de MC4 à DC7909, veuillez contacter Energizer Solar sur [www.energizersolar.com](http://www.energizersolar.com) pour vous renseigner sur la procédure d'achat.

## Chargement voiture



### \*Câble chargement voiture (DC7909)

La station d'alimentation électrique peut être chargée par un port de chargement voiture. Elle doit être chargée après le démarrage de la voiture afin d'éviter toute perte de batterie et impossibilité de démarrer. Vous devez également vérifier la qualité de la connexion entre le port de chargement de la voiture et l'allume-cigare. Nous n'acceptons aucune responsabilité en cas de perte suite à un fonctionnement incorrect.


## Batterie d'extension

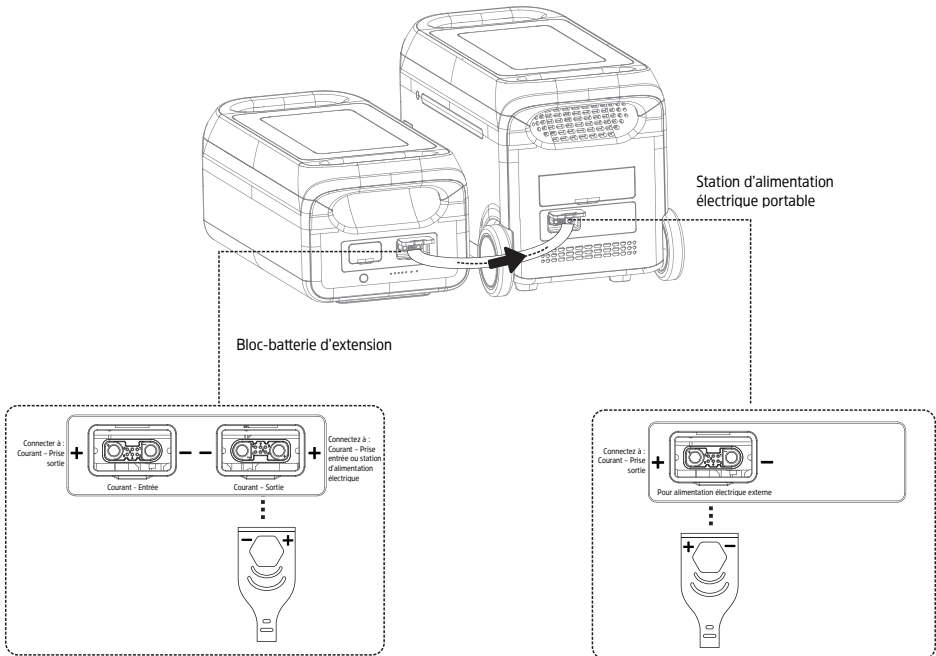
Jusqu'à six blocs-batteries d'extension peuvent être connectés simultanément en cas d'accroissement des besoins en capacité.

### Lors de l'utilisation, veuillez noter

- Avant de connecter le bloc-batterie d'extension, assurez-vous que la station d'alimentation électrique et le bloc-batterie d'extension sont tous deux éteints.
- Après avoir connecté le bloc-batterie d'extension, assurez-vous que le pictogramme indiquant le nombre de blocs-batteries d'extension en parallèle apparaît sur l'écran LCD de la station d'alimentation électrique avant de l'utiliser.
- Veuillez ne pas connecter ou retirer la station d'alimentation électrique pendant le processus de charge ou de décharge. Si vous avez besoin de connecter ou de retirer le bloc-batterie d'extension en cours de processus, veuillez d'abord éteindre l'alimentation électrique puis opérer.
- Ne touchez pas la borne métallique au port de connexion du bloc-batterie d'extension avec vos mains ou tout autre objet. Si les bornes sont encrassées, assurez-vous que la batterie est éteinte avant de la nettoyer.

### 1 station d'alimentation électrique portable et 1 bloc-batterie d'extension en parallèle

1. Éteignez la station d'alimentation électrique et les batteries d'extension avant de les mettre en parallèle.
2. Le câble de branchement en parallèle est branché dans le port d'extension de la station d'alimentation électrique et la sortie de puissance du bloc-batterie d'extension.
3. Une fois le branchement en parallèle terminé, appuyez sur l'interrupteur  de la station d'alimentation portable pour activer la station d'alimentation électrique en parallèle et pour que le bloc-batterie d'extension affiche la capacité actuelle. Lorsque la station d'alimentation électrique affiche le nombre en parallèle, la capacité d'extension en parallèle est réussie.
4. Une fois le branchement en parallèle terminé, connectez la sortie correspondante de la station d'alimentation électrique portable pour charger ou décharger (consultez le manuel d'utilisation du Energizer Solar Peak 3000 Power Station).

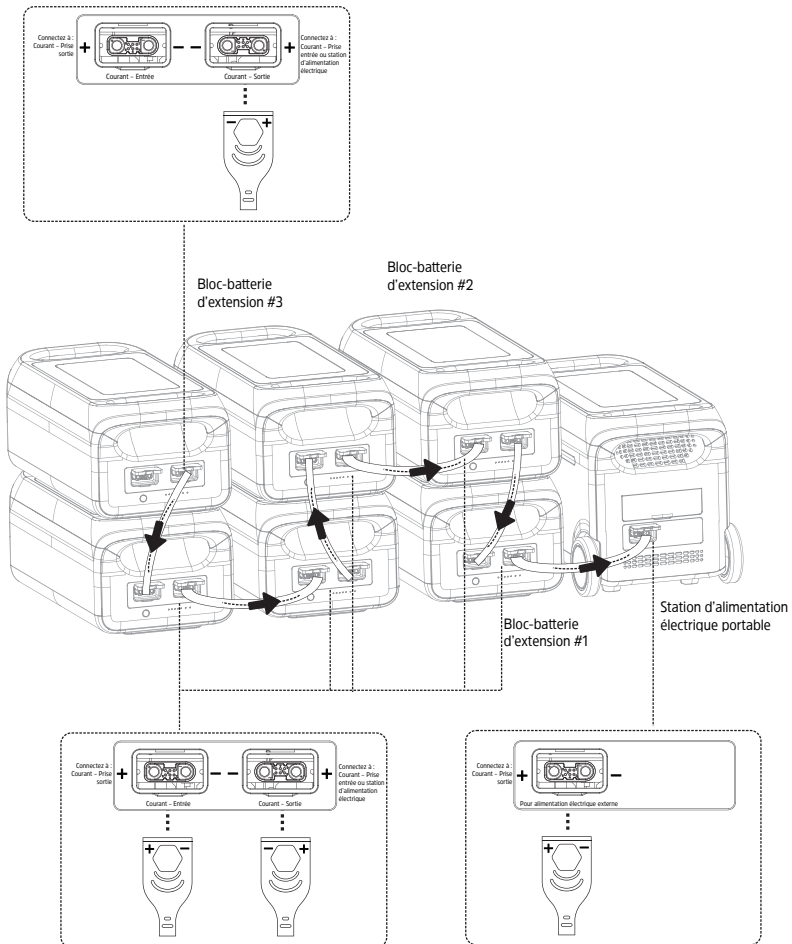


### Remarque

Les blocs-batteries sont dotés de symboles + et - et de câbles en cas de polarités inversées.

### 1 station d'alimentation électrique portable avec multiples blocs-batteries en parallèle:

1. Éteignez la station d'alimentation électrique et les batteries d'extension avant de les brancher en parallèle.
2. Le câble de branchement en parallèle est branché dans le port d'extension de la station d'alimentation électrique portable et la sortie de puissance du bloc-batterie d'extension #1, l'entrée de puissance du bloc-batterie d'extension #1 est connecté à la sortie de puissance du bloc-batterie d'extension #2, l'entrée de puissance du bloc-batterie d'extension #2 est connecté à la sortie de puissance du bloc-batterie d'extension #3, etc. jusqu'à 6 blocs-batteries d'extension en parallèle.
3. Une fois le branchement en parallèle terminé, appuyez sur l'interrupteur principal de la station d'alimentation électrique portable pour activer la station d'alimentation électrique portable. Le bloc-batterie d'extension affichera le niveau de capacité total incluant les batteries d'extension supplémentaires et le nombre de batteries d'extension en utilisation.
4. Une fois le branchement en parallèle terminé connectez la sortie correspondante à la station d'alimentation électrique portable pour la charge ou la décharger (consultez le manuel d'utilisation du Energizer Solar Peak 3000 Power Station).



#### Remark

There are + and - symbols on battery packs and cables in case of reverse polarities

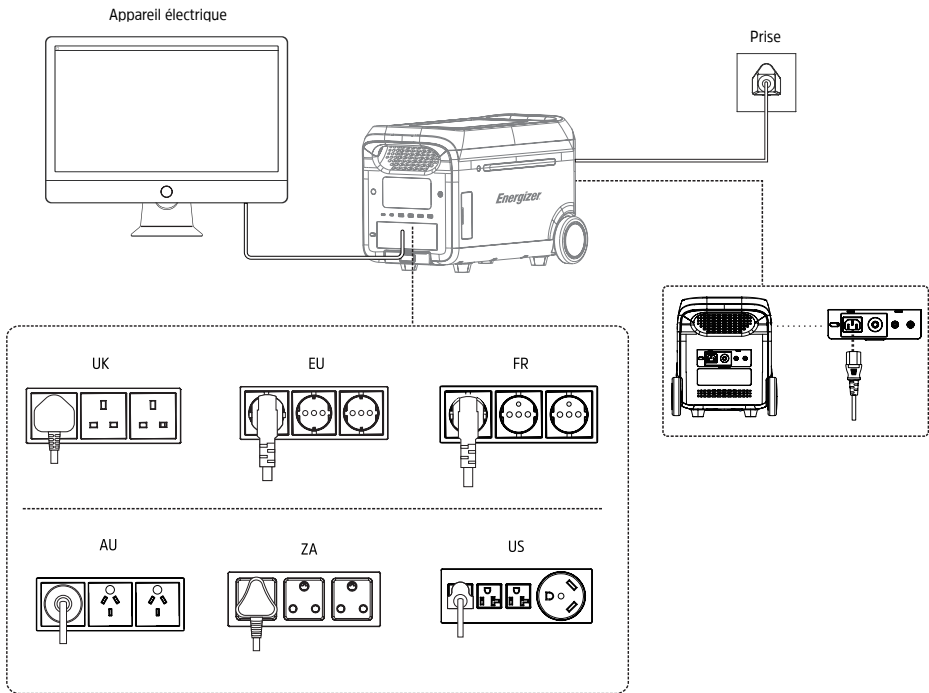


## Application Energizer Solar Portable Power

Vous pouvez consulter les informations et les données et contrôler ce produit depuis l'application Energizer Solar Portable Power. Pour télécharger l'application, recherchez [Energizer Solar Portable Power] dans Google App Store ou Apple App Store. Une fois téléchargée, créez un compte et enregistrez votre produit pour gérer et contrôler l'utilisation de votre station d'alimentation électrique portable Energizer. Pour obtenir des instructions sur la connexion WiFi, consultez la page « Ressources » du site web [www.energizersolar.com](http://www.energizersolar.com).

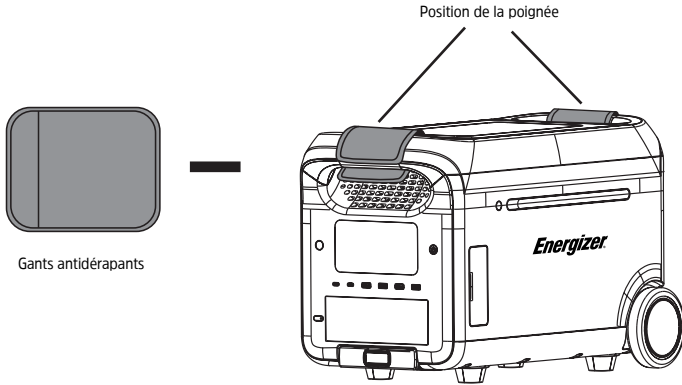
## Fonction UPS

Ce produit supporte la fonction UPS lorsque vous le connectez au réseau électrique via le port d'entrée AC de ce produit par l'intermédiaire du câble de charge AC. Lorsqu'il est connecté au réseau électrique, l'appareil peut utiliser le port de sortie AC du produit. Il est alors en mode bypass (alimentation AC à partir de la grille, pas de la batterie) ; lorsque la grille perd soudainement sa puissance, le produit peut automatiquement basculer en mode batterie dans les 14 ms, qui est le mode onduleur (l'alimentation AC provient de la batterie, pas de la grille). Ne le connectez pas à des appareils qui nécessitent une alimentation ininterrompue élevée, tels que les serveurs de données et les postes de travail. N'utilisez le produit à cette fin qu'après avoir effectué plusieurs tests pour confirmer sa compatibilité. Il est recommandé de n'utiliser qu'un seul appareil connecté lors de l'utilisation de ce mode, et de ne pas connecter plusieurs appareils en même temps afin d'éviter le déclenchement de la protection contre les surcharges du produit. Si l'appareil ne fonctionne pas normalement ou si des données sont perdues parce que les instructions n'ont pas été suivies, notre société n'assumera pas la responsabilité correspondante.



## Gants antidérapants

Deux gants antidérapants sont enveloppés sur les poignées avant et arrière pour éviter les glissements.



## FAQ

### 1. Quel type de batterie est utilisé ?

Batterie lithium fer phosphate (LiFePO4).

### 2. Quel équipement peut être connecté aux ports de sortie AC ?

La sortie AC dispose d'une puissance nominale et d'une puissance maximale élevées, ce qui lui permet d'alimenter la plupart des appareils ménagers. Il est conseillé de vérifier la puissance de l'équipement avant de le brancher et de s'assurer que la puissance de tous les équipements est inférieure à la puissance nominale.

### 3. Comment connaître le temps d'alimentation ?

Le temps est affiché sur l'écran LCD, que vous pouvez consulter pour estimer vos équipements avec consommation de courant stable.

### 4. Comment savoir si la station charge ?

Lors de la charge, l'écran LCD indique le temps de charge restant. Le SOC clignote et la puissance d'entrée est indiquée.

### 5. Comment nettoyer l'unité ?

Nettoyez l'unité à l'aide d'un chiffon en microfibre.

### 6. Comment stocker l'unité ?

Éteignez-la et conservez-la dans un endroit sec et ventilé. Ne l'exposez pas à l'eau. Pour un stockage à long terme, il est recommandé de la décharger à 0 % et de la charger à 100 % tous les 3 mois pour en prolonger la durée de vie.

### 7. Peut-elle être emmenée en avion ?

Non, le Energizer Solar Peak 3000 ne répond pas aux normes de l'aviation.

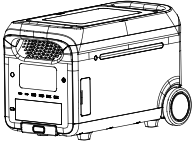
# Messages d'erreur & solutions

Pictogramme	Description de l'erreur	Solution
01 Error	Erreur grave batterie	Allumez, éteignez. Si le problème persiste, contactez le SAV.
02 Error	$\Delta V$ trop important	Arrêt automatique, l'erreur sera effacée après redémarrage.
03 Error	Tension BMS	Arrêt automatique, l'erreur sera effacée après redémarrage.
Over 04 Error	Surchauffe batterie	Arrêt automatique, la récupération de la température permet le démarrage.
Low 05 Error	Température batterie insuffisante	Arrêt automatique, la récupération de la température permet le démarrage.
06 Error	Protection surtension	Arrêt automatique, l'erreur sera effacée après redémarrage.
Over 07 Error	Température excessive	Arrêt automatique, Démarrage différé.
08 Error	Erreur précharge	Arrêt automatique, l'erreur sera effacée après redémarrage.
09 Error	Erreur sous-tension batterie	Arrêt automatique et charge. Si le problème n'est pas résolu après plusieurs échecs de charge, contactez le SAV.
10 Error	Parallélisation anormale	Vérifiez le câble de connexion. Si le problème persiste, contactez le SAV. La fonction de station d'alimentation électrique unique n'est pas affectée.
11 Error	Tension batterie INV anormale	Récupération automatique après élimination de l'erreur.
12 Error	Erreur tension grille ou fréquence	L'erreur est effacée lorsque la grille retourne à la normale.
13 Error	Tension BUS INV anormale	Récupération automatique après élimination de l'erreur.
14 Error	Abnormal INV output	Récupération automatique après élimination de l'erreur.
Overload  15 Error	Surcharge de décharge INV	Retirez le dispositif surpuissant. Récupération automatique après élimination de l'erreur.
Overload  16 Error	Surcharge	Récupération automatique après élimination de l'erreur.
17 Error	Tz INV	Récupération automatique après élimination de l'erreur.
18 Error	Court-circuit batterie	L'erreur sera effacée après redémarrage.
19 Error	Court-circuit sortie INV	L'erreur sera effacée après redémarrage.
Over 20 Error	Erreur MOSFET OTP	Récupération automatique après refroidissement du produit.

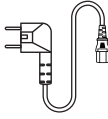
Pictogramme	Description de l'erreur	Solution
 21 Error	Arrêt ventilateur	Allumez, éteignez. Si le problème persiste, contactez le SAV.
 22 Error	Erreur décharge démarrage progressif	Récupération automatique après élimination de l'erreur.
 23 Error	Erreur charge démarrage progressif	Récupération automatique après élimination de l'erreur.
 Low 24 Error	Erreur MOSFET UTP	Allumez, éteignez. Si le problème persiste, contactez le SAV.
 25 Error	Erreur OCP hardware Anderson	Retirez la charge PV, récupération automatique après connexion PV et mise en route.
 26 Error	Erreur OCP logiciel Anderson	Éteignez la sortie. Récupération manuelle après élimination de l'erreur.
 27 Error	Erreur OCP hardware PV	Retirez la charge PV. Récupération automatique après connexion PV et mise en route.
 28 Error	Erreur OCP logiciel PV1	Arrêtez la charge PV1. Récupération automatique après connexion PV et mise en route.
 29 Error	Erreur OCP logiciel PV2	Arrêtez la charge PV2. Récupération automatique après connexion PV et mise en route.
 30 Error	Erreur OCP sortie charge voiture	Éteignez la sortie. Récupération manuelle après élimination de l'erreur.
 31 Error	Erreur OVP sortie PV (protection surcharge)	Arrêtez le PV. Récupération automatique après élimination de l'erreur.
 32 Error	Erreur OVP entrée PV1	Arrêtez le PV1. Récupération automatique après élimination de l'erreur.
 33 Error	Erreur OVP entrée PV2	Arrêtez le PV2. Récupération automatique après élimination de l'erreur.
 Over 34 Error	Erreur OTP Anderson	Éteignez la sortie. Récupération manuelle après élimination de l'erreur.
 Over 35 Error	Erreur OTP PV1	Arrêtez le PV1. Récupération automatique après élimination de l'erreur.
 Over 36 Error	Erreur OTP PV2	Arrêtez le PV2. Récupération automatique après élimination de l'erreur.
 38 Error	Erreur OTP sortie charge voiture	Éteignez la sortie. Récupération manuelle après élimination de l'erreur.
 Over 37 Error	Communication anormale	Allumez puis éteignez, ou changez l'environnement de fonctionnement. Si le problème persiste, contactez le SAV.
 USB-A 39 Error	USB anormal	Récupération automatique après extraction du USB anormal.
 USB-C 40 Error	Type C anormal	Récupération automatique après extraction du type C anormal.

Si un avertissement se produit pendant l'utilisation de ce produit et que le pictogramme d'avertissement ne disparaît toujours pas après avoir redémarré l'appareil, veuillez cesser de l'utiliser immédiatement (n'essayez pas de le charger ou de le décharger). Si aucune des informations ci-dessus ne permet de résoudre le problème que vous rencontrez, veuillez contacter Energizer Solar à l'adresse [www.energizersolar.com](http://www.energizersolar.com)

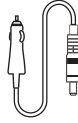
## Contenu du colis



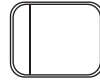
Station d'alimentation électrique



Câble AC



Câble charge voiture



Gants antidérapants

## Entretien

- Il est recommandé d'utiliser ou de stocker la station d'alimentation électrique à la plage de température de fonctionnement optimale. Assurez-vous qu'elle est éloignée de l'eau, de radiateurs et des surfaces métalliques.
- Pour un stockage à long terme, chargez et déchargez l'appareil tous les trois mois, c'est-à-dire une décharge à 0 % suivie d'une charge à 100 %.
- Pour des raisons de sécurité, évitez de stocker la station d'alimentation électrique à des températures supérieures à 45 °C (113 °F) ou inférieures à -20 °C (4 °F).
- Si la capacité est inférieure à 1 %, chargez à 60 %. Un stockage à long terme avec perte de puissance sévère causera des dommages irréversibles aux cellules de la batterie et raccourcira la durée de vie du produit. Les produits qui n'ont pas été chargés et déchargés pendant 6 mois ne sont pas couverts par la garantie.
- Si la capacité de la batterie devient critiqueusement basse et que l'appareil reste inactif pendant une période prolongée, le produit entrera en mode de veille profonde et ne pourra être utilisé à nouveau qu'après avoir été rechargé.
- Après avoir chargé ou rechargé ce produit, vous devez attendre plus de 30 minutes avant de l'utiliser.

## Clause de non-responsabilité

- Le produit est doté d'un système de gestion de la batterie intégré qui comporte diverses mesures de protection, notamment contre la surcharge, la surdécharge, la surintensité, le court-circuit, les températures élevées et basses, et les communications anormales. Pendant l'utilisation de ce produit, ces mécanismes de protection peuvent s'activer et provoquer une interruption temporaire de la sortie. Energizer Solar n'est pas responsable de toute perte potentielle résultant d'une interruption accidentelle de l'alimentation électrique d'équipements spécifiques tels que les appareils médicaux ou les serveurs.
- Avant d'utiliser la station d'alimentation électrique, veuillez lire ce manuel d'utilisation pour vous assurer de sa compréhension et de son utilisation correcte. Après avoir lu le manuel de l'utilisateur, conservez-le pour pouvoir vous y référer ultérieurement. Une utilisation incorrecte peut entraîner des blessures graves pour vous-même ou d'autres personnes, ou endommager le produit et causer des pertes matérielles. En utilisant la centrale électrique, vous reconnaissez avoir compris et accepté tous les termes et le contenu du présent document. Les utilisateurs sont tenus d'assumer la responsabilité de leurs actes et des conséquences qui en découlent. Energizer Solar n'est pas responsable des pertes pouvant survenir si les utilisateurs ne respectent pas les instructions de ce manuel d'utilisation.
- Conformément aux lois et réglementations, la société se réserve le droit d'interprétation finale de ce document et de tous les documents liés à ce produit. Sous réserve de mise à jour, de révision ou de réiliation sans préavis, veuillez consulter le site [www.energizersolar.com](http://www.energizersolar.com) pour obtenir les dernières informations sur ce produit.

# Contenidos

<b>Parámetros</b>	<b>1</b>
<hr/>	
<b>Normas de seguridad</b>	
<hr/>	
Advertencia	2
Descarte	3
<b>Instrucciones de Uso</b>	
<hr/>	
Descripción General del Producto	4
Pantalla LCD	6
Modo de Empleo	6
Carga de AC	9
Carga FV	10
Carga en el vehículo	10
Expansión de la Batería	11
Aplicación Energizer Solar Portable Power	11
Función UPS	12
Guantes Antideslizantes	12
<b>Preguntas Frecuentes</b>	<b>13</b>
<hr/>	
<b>Mensajes de Error y Soluciones</b>	<b>15</b>
<hr/>	
<b>Qué hay en la caja</b>	<b>15</b>
<hr/>	
<b>Mantenimiento</b>	<b>15</b>
<hr/>	
<b>Exención de responsabilidad</b>	
<hr/>	

# Parámetros

Aspectos Generales	
Peso Neto	34kg (75lbs)
Dimensiones (A x A x P)	536 x 303 x 343mm (21,1" x 12" x 13,5")
Capacidad de la Batería	2560Wh 51,2V $\approx$ ,50Ah
WiFi	Soportado
Salida (EU/FR/AU/ZA)	
Salida AC x 3 (modo inversor)	Onda senoidal pura, total 3000W (pico 5000W), 220-240V~(50/60Hz), 16A
Salida de AC (modo Bypass)	220-240V~(50/60Hz), 2300W Max, 10A Max
Salida (UK)	
Salida de AC x 4 (modo inversor)	Onda senoidal pura, total 3000W (pico 5000W), 220-240V~(50/60Hz), 13A
Salida de AC (modo Bypass)	220-240V~(50/60Hz), 2300W Max, 10A Max
Salida (US)	
Salida de AC x 4 (modo inversor)	Salida de AC (x3): 100-120V~(60Hz), 20A 2400W Salida de AC (x1): 100-120V~(60Hz), 25A 3000W
Salida de AC (modo Bypass)	100-120V~(60Hz), 1800W Max, 15A Max
Otras salidas	
USB-A x 2	5V $\approx$ 2,4A, 12W Max
Carga Rápida USB-A x 2	5V $\approx$ 3A, 9V $\approx$ 2A, 12V $\approx$ 1.5A, 18W Max
USB-C x 2	5/9/12/15V $\approx$ 3A, 20V $\approx$ 5A, 100W Max
Salida de Terminal Anderson	12,6V $\approx$ 30A, 378W Max
Cargador de Vehículo	12,6V $\approx$ 10A, 126W Max
Salida DC5521 x 2	12,6V $\approx$ 3A
* Cargador de vehículo y DC5521 comparten potencia, 126W Max.	
* Modo inversor: la corriente alterna de salida procede de la batería, no de la red.	
* Modo bypass: la corriente alterna de salida procede de la red, no de la batería.	
Entrada (UK/EU/FR/AU/ZA)	
Potencia de entrada de AC	2300W Max, 10A
Tensión de entrada de AC	220-240V~(50/60Hz)
Entrada (US)	
Potencia de entrada de AC	1800W Max, 15A
Tensión de entrada de AC	100-120V~(60Hz)
Otras entradas	
Panel FV x 2	13-45V $\approx$ 12A, 800W Max
Entrada de puerto de vehículo	Batería soportada 12V/24V, 8A por defecto

## Parámetros

<b>Entrada de Carga (UK/EU/FR/AU/ZA)</b>	
Potencia de carga AC	2000W Max
<b>Entrada de Carga (US)</b>	
Potencia de Entrada de AC	1800W Max
<b>Otras Entradas de Carga</b>	
Panel FV/Vehículo x 2	800W Max
Potencia de carga AC+FV	2560W Max
<b>Batería</b>	
Tipo de Celda	Batería de Fosfato de Hierro y Litio (LiFePO <sub>4</sub> )
Ciclo de Vida	4,000 ciclos
Tipo de Protección	Protección contra sobretemperatura, protección contra baja temperatura, protección contra sobredescarga, protección contra sobrecarga, protección contra sobrecarga, protección contra cortocircuito, protección contra sobrecorriente
<b>Temperaturas de Funcionamiento</b>	
Temperatura Óptima de Operación	20°C ~ 30°C (68°F ~ 86°F)
Temperatura Ambiente de Descarga	-20°C ~ 45°C (-4°F ~ 113°F)
Temperatura Ambiente de Carga	0°C ~ 45°C (32°F ~ 113°F)
Temperatura Ambiente de Almacenaje	-20°C ~ 45°C (-4°F ~ 113°F)

\*La posibilidad de cargar o descargar el producto depende de la temperatura real del módulo de baterías.

<b>Expansión de Bateria</b>	
Entrada/salida de potencia	40-58,8V=50A carga (Max.), 70A descarga (Max.)
Nominal Energy	2560Wh, soporta un Max. de 6 baterías de expansión

## Medidas de seguridad

### Advertencia

1. No permita que una central eléctrica en funcionamiento esté cerca de una fuente de calor, como un fuego o un calentador.
2. No deje que el pack de baterías de expansión entre en contacto con ningún líquido. No sumerja este producto en agua ni lo moje. No utilice este producto bajo la lluvia o en un entorno húmedo.
3. No utilice la central en un entorno con fuertes campos electrostáticos o magnéticos.
4. No desarme la central eléctrica de ninguna manera ni la perforo con un objeto afilado.
5. No utilice cables u otros objetos metálicos para cortocircuitar el producto.
6. Evite pisar, sentarse o subirse a la central eléctrica.
7. No utilice piezas o accesorios que no sean los suministrados oficialmente. Si necesita una pieza de repuesto, póngase en contacto con Energizer Solar en [www.energizersolar.com](http://www.energizersolar.com).



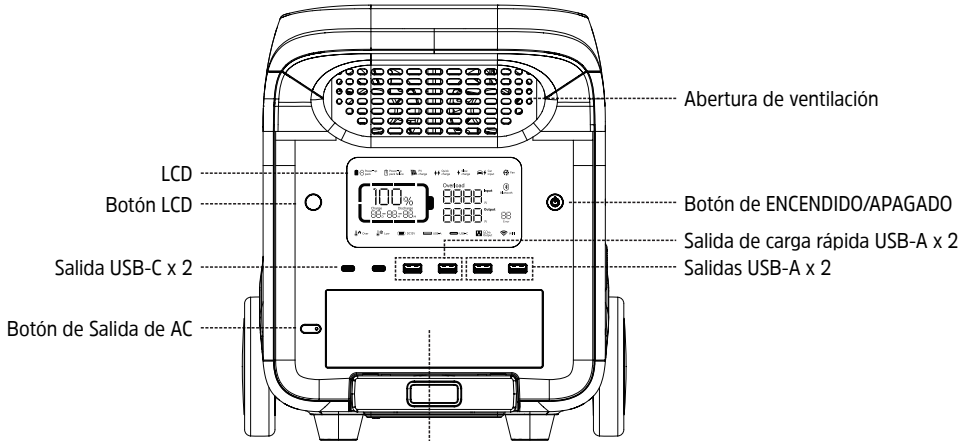
8. Cuando utilice la central eléctrica, siga las indicaciones de temperatura descritas en este manual del usuario. Las temperaturas excesivamente altas pueden provocar un riesgo de ignición de la batería, mientras que las temperaturas excesivamente bajas comprometerán significativamente el rendimiento de la central eléctrica y pueden afectar a su normal funcionamiento.
9. No coloque objetos pesados encima de la central eléctrica.
10. No detenga por la fuerza el ventilador ni exponga la central eléctrica a ambientes sin ventilación o polvorientos mientras esté en funcionamiento.
11. Evite las caídas y las vibraciones violentas. Si se produce un impacto fuerte, apague la central inmediatamente. Por favor, asegure la central eléctrica durante el transporte para evitar vibraciones e impactos.
12. Si la central eléctrica cae accidentalmente al agua, colóquela en una zona segura y espaciosa y manténgase a una distancia prudencial hasta que esté completamente seca. Incluso después de que el producto se haya secado, no intente utilizarlo de nuevo. Deséchelo de acuerdo con la sección de desecho de este manual de usuario. Si la central eléctrica se incendia, utilice los métodos de extinción recomendados en el siguiente orden: agua o agua nebulizada, arena, manta ignífuga, polvo seco, extintor de dióxido de carbono.
13. Si la superficie está sucia, límpiela con un paño de microfibra.
14. Manipule la central con cuidado para evitar daños. En caso de impacto grave que provoque que la central eléctrica vuelque y sufra daños importantes, apáguela inmediatamente. Coloque la central eléctrica en un lugar bien ventilado, lejos de materiales inflamables y de personas. Deséchela de acuerdo con las leyes y normativas locales.
15. Mantenga la central eléctrica fuera del alcance de los niños y mascotas.
16. Mantenga la central eléctrica en un lugar seco y ventilado.
17. En ambientes húmedos, como zonas costeras o cercanas al agua, es aconsejable utilizar una bolsa a prueba de humedad con la central eléctrica. Si descubre agua en el interior de la central eléctrica, absténgase de utilizarla o volver a ponerla en marcha. Tome precauciones para evitar descargas eléctricas antes de manipular la central eléctrica. Colóquela en un lugar seguro e impermeable y contacte rápidamente al servicio de atención al cliente.
18. No se recomienda utilizar la central eléctrica para suministrar energía a equipos médicos de emergencia críticos para la seguridad, como respiradores de grado médico (versión hospitalaria PPCVR: Presión Positiva Continua en las Vías Respiratorias) y pulmones artificiales (OMECA: Oxigenación por Membrana Extracorpórea). Sin embargo, es adecuado para alimentar una PPCVR versión doméstica en casa, que no requiere una monitorización profesional continua. Siga siempre las recomendaciones de su médico y consulte con Energizer Solar cualquier restricción de uso del dispositivo. Para los equipos médicos en general, controle los niveles de energía para asegurarse de que no se agote.
19. Las fuentes de alimentación generan campos electromagnéticos que pueden interferir con dispositivos médicos implantables o con el normal funcionamiento de dispositivos médicos personales, como marcapasos, implantes cocleares, audífonos y desfibriladores.
20. Cuando la central eléctrica está conectada a un refrigerador, puede apagarse automáticamente debido a la propiedad de fluctuación de potencia del refrigerador. Cuando conecte la fuente de alimentación a un refrigerador que almacene medicamentos, vacunas u otros artículos valiosos, se recomienda ajustar la salida de AC a "Nunca apagado" en la aplicación Energizer Solar Portable Power App, para garantizar una alimentación continua. Los usuarios deben prestar atención al consumo de energía.
21. Durante el movimiento de empuje y tracción de este producto, se recomienda encarecidamente evitar colocar otros objetos sobre la central eléctrica..

## Descarte

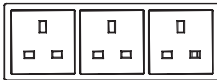
1. Cuando las condiciones lo permitan, asegúrese de que la batería esté descargada por completo antes de depositar la central eléctrica en un contenedor de reciclaje de baterías designado. La central eléctrica contiene baterías potencialmente peligrosas, por lo que es importante no desecharlas en los contenedores de basura habituales. Consulte las leyes y normativas locales para obtener orientación sobre los procedimientos adecuados de reciclaje y eliminación de baterías.
2. Si la batería no puede descargarse completamente debido a un mal funcionamiento del producto, evite depositarla directamente en el contenedor de reciclaje de baterías. En su lugar, contacte a una empresa especializada en reciclaje de baterías para su adecuada eliminación.
3. Si la batería no se reinicia después de una descarga excesiva, debe desecharse de forma segura como desperdicio.

# Instrucciones al Usuario

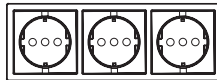
## Vista General del Producto



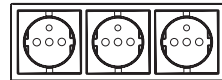
### Conectores de salida de AC



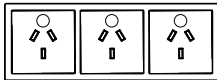
UK



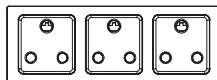
EU



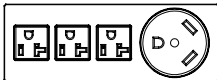
FR



AU

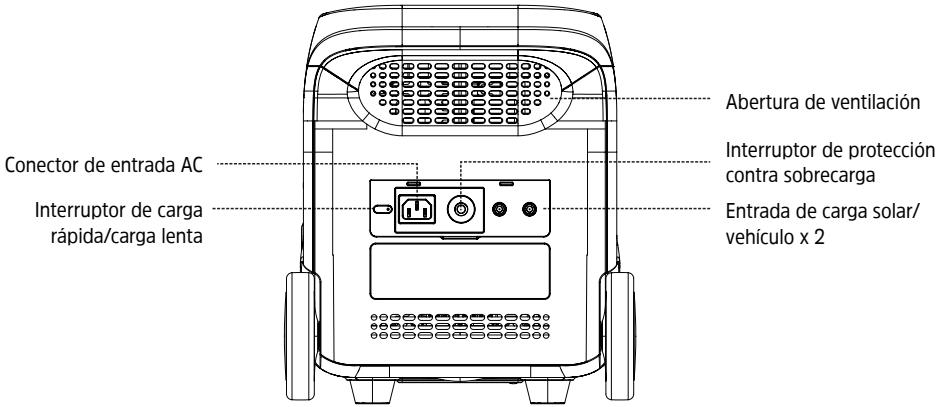


ZA

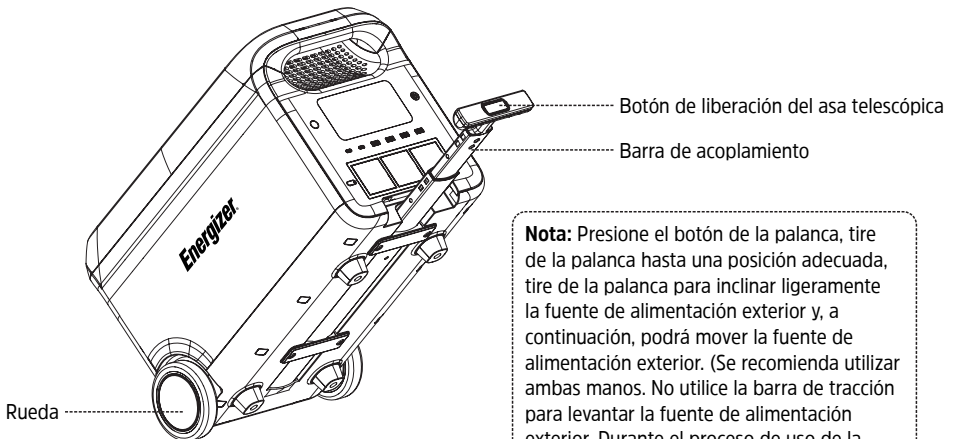
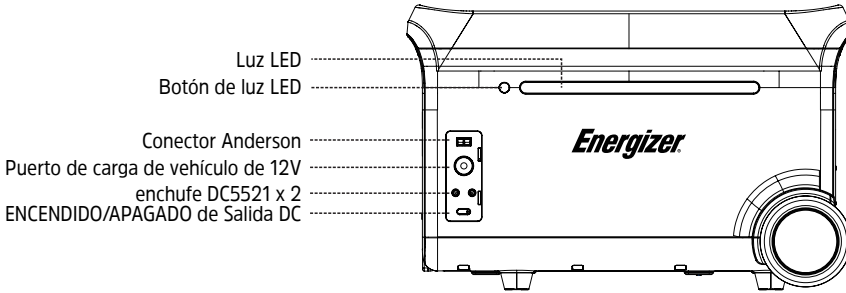


US

Conector de salida de AC de 25 A x1  
Conector de salida de AC de 20A x 3

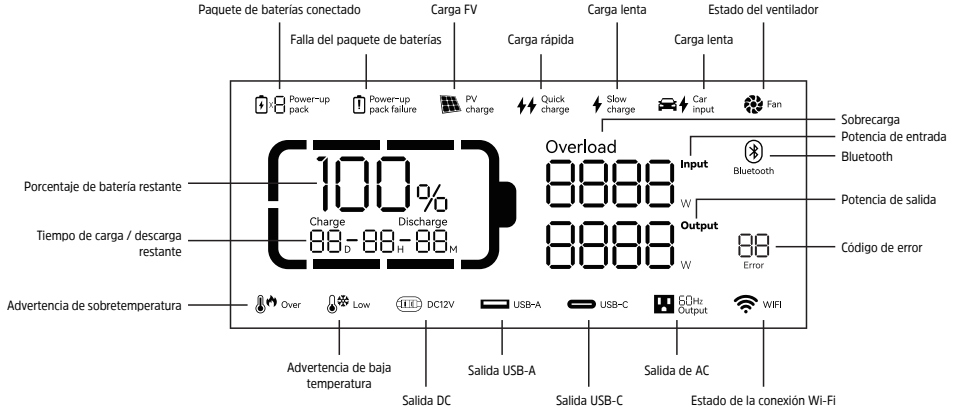


Enchufe americano de AC mostrado arriba



**Nota:** Presione el botón de la palanca, tire de la palanca hasta una posición adecuada, tire de la palanca para inclinar ligeramente la fuente de alimentación exterior y, a continuación, podrá mover la fuente de alimentación exterior. (Se recomienda utilizar ambas manos. No utilice la barra de tracción para levantar la fuente de alimentación exterior. Durante el proceso de uso de la varilla de tracción, las ruedas deben tocar siempre el piso).

## Pantalla LCD



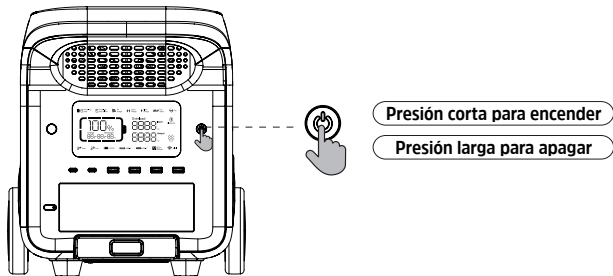
**Capacidad de la batería:** Cuando la central eléctrica se está cargando, el icono SOC destellará.

**Estado de la conexión Wi-Fi:** El icono destellando indica que la central eléctrica está lista para el sincronizado. El icono seguirá destellando si el teléfono móvil y la central eléctrica están conectados por hotspot. Si la conexión a la red se realiza correctamente, el icono permanecerá siempre encendido. Si la conexión falla, el icono estará apagado.

\* Consulte la sección Mensajes de Error y Soluciones para más información sobre los mensajes de error.

## Instrucciones de uso

**Nota:** Mantenga presionado el botón ON/OFF para reiniciar el BMS y borrar la información de fallos.

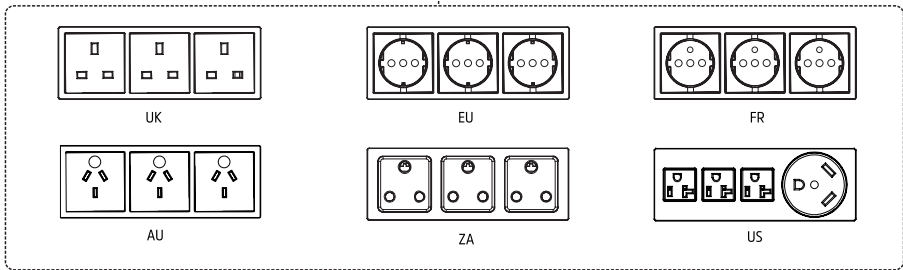
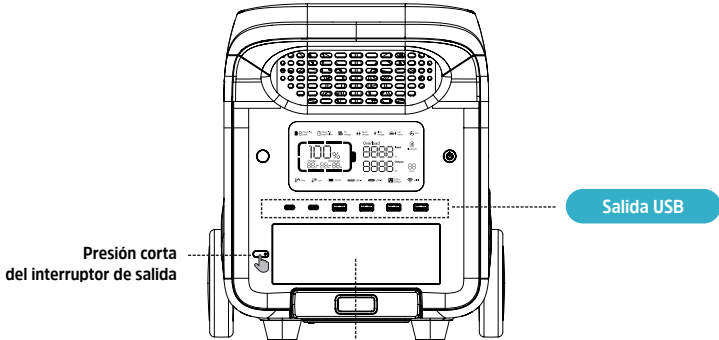


### Encendido y apagado

- Pulse el interruptor principal de encendido para encender el dispositivo, luego la pantalla se encenderá y el indicador principal de encendido entrará en el modo de intermitencia lenta.
- Si no se realiza ninguna operación en la central eléctrica durante 5 minutos, ésta entrará en estado de hibernación y la LCD se apagará automáticamente. Cuando haya un cambio de carga o una operación en la central eléctrica, la LCD se iluminará automáticamente. Presione el interruptor principal para encender o apagar la pantalla LCD.
- Mantenga presionado el interruptor principal para encender o apagar la pantalla LCD.
- En el modo normal (la potencia es superior al 5%), el tiempo de espera predeterminado de este producto es de 2 horas; cuando el interruptor de salida de AC no está encendido, y no hay carga o descarga durante 2 horas, el producto se apagará automáticamente y el tiempo de espera se puede establecer en la Energizer Solar Portable Power App; cuando la potencia es del 5% o inferior, el producto se verá obligado a entrar en el modo de bajo consumo. En caso de ausencia de carga o descarga, el producto ajustará el tiempo de espera en función de la potencia y se apagará automáticamente.

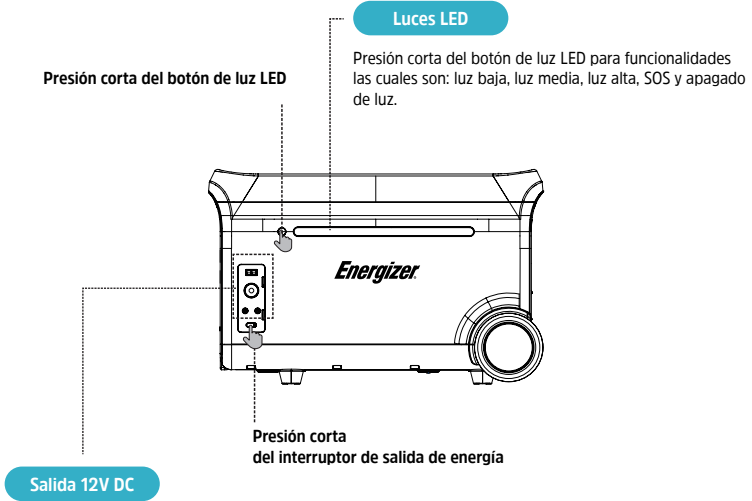
- En modo normal, presione largamente el botón de luz LED para salir del ajuste de apagado automático, y el icono de la batería (🔋) en la pantalla parpadeará. Vuelva a presionar prolongadamente para entrar en la configuración de apagado automático, y el icono de la batería (🔋) no parpadeará. El ajuste de apagado automático es para proteger la batería de baja potencia, salir de este ajuste puede dañar la vida de la batería, por favor utilícelo con precaución.

**Nota:** Sin entrada de AC activa, presione largamente el botón de salida de AC de arriba, puede cambiar la frecuencia de salida de AC fuera de la red (🇺🇸 50Hz Output / 🇪🇺 50Hz Output), mantenga presionado 2s para cambiar, el icono de salida de AC titilará 3 veces después de cambiar satisfactoriamente.



### Salida AC

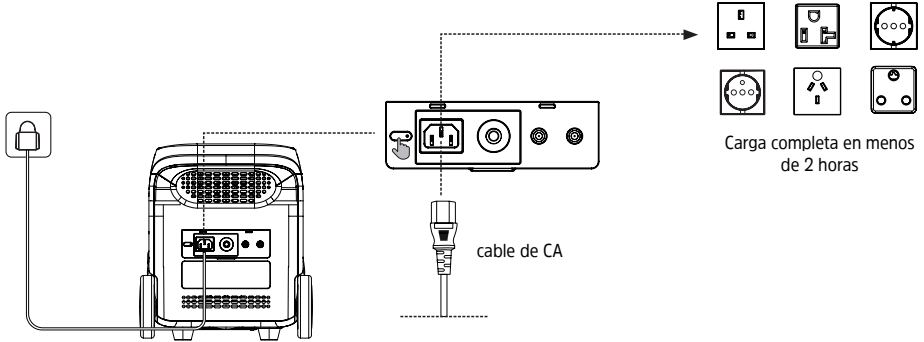
- Después de asegurarse de que la alimentación principal está encendida, presione brevemente el interruptor de salida de corriente AC para encender la salida de AC. Vuelva a presionar brevemente el interruptor de alimentación de salida de AC para apagarla.
- El tiempo de espera predeterminado del puerto de salida de AC es de 1 hora. Después de 1 hora sin ninguna carga en el puerto de salida de AC de este producto, la salida de corriente AC se apagará automáticamente. En modo normal, presione largamente el botón de luz LED, el interruptor de salida de corriente AC puede salir de la configuración de apagado automático y el icono de la batería (🔋) en la pantalla titilará. Si lo presiona de nuevo, el interruptor de alimentación de salida de AC entrará en el modo de apagado automático y el icono de la batería (🔋) no parpadeará.
- Presione prolongadamente el botón de luz LED para salir de la configuración de apagado automático de AC: es aplicable a equipos de AC de menos de 10W y equipos de trabajo por pulsos.
- Cuando la salida de AC no esté en uso, apáguela para ahorrar consumo de energía.



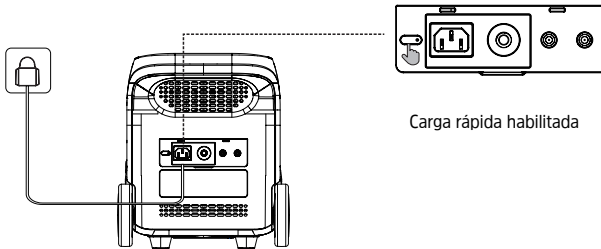
- Después de que el interruptor de alimentación principal esté encendido, presione el interruptor de salida de corriente de 12 V DC para habilitar el puerto de salida DC.
- Vuelva a presionar el interruptor de salida de corriente de 12 V DC para apagarlo.
- Cuando el interruptor de salida de corriente de 12 V DC está encendido, la central eléctrica no se apaga automáticamente.

## Carga de AC

La tecnología de carga rápida está diseñada para la carga de AC. Puede controlar la potencia de carga mediante el interruptor de velocidad de carga AC. El modo de carga lenta está activado por defecto cuando se enciende la central eléctrica, y se puede cambiar al modo de carga rápida mediante el botón. El modo de carga rápida y lenta también puede ajustarse mediante la aplicación Energizer Solar Portable Power. Si la corriente es continuamente superior a 20 A, el puerto de entrada de carga iniciará la función de autoprotección y se activará automáticamente el interruptor de protección contra sobrecargas de carga. Presione el interruptor de protección contra sobrecarga de carga para restablecer la carga después de confirmar que no hay ningún fallo.



La carga rápida y la carga lenta se pueden activar con el botón.

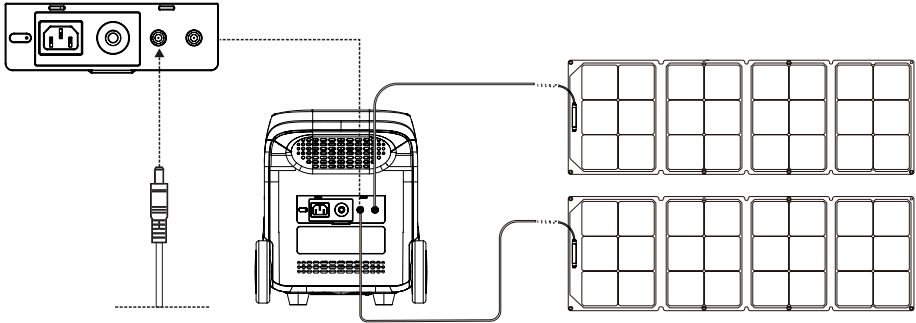


### El rango de potencia de carga se puede ajustar mediante la Energizer Solar Portable Power App.

Por favor, use el cable de carga de AC estándar para la carga rápida. El cable de carga de AC debe conectarse directamente a un conector de pared de 10 A (o superior). Energizer Solar no se hace responsable de los daños derivados del uso de cables de carga de AC no adecuados o del incumplimiento.

Nota: Cuando la carga de AC a través de la central eléctrica (modelo de EE.UU.), por favor, utilice el cable de carga de AC estándar oficial para la carga, el enchufe del cable de carga de AC tiene que estar conectado directamente a la toma de pared que soporta más de 15A de corriente. Energizer Solar no se hace responsable de los daños derivados del uso de cables de carga de AC no especiales o del incumplimiento de las instrucciones.

## Carga FV



Se pueden utilizar paneles solares para cargar la central eléctrica como se muestra en el diagrama anterior

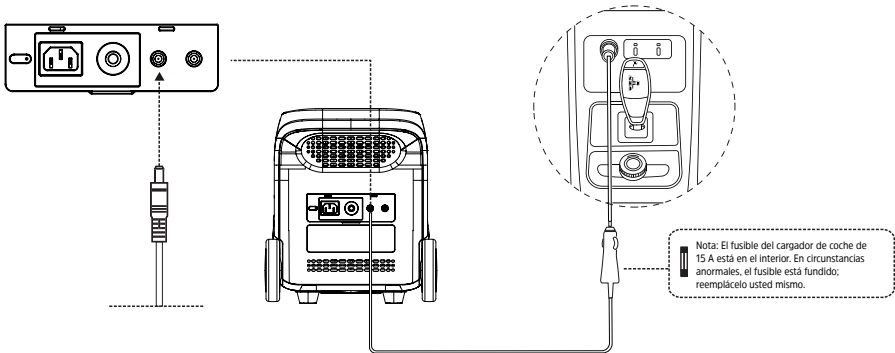
**Compatible con paneles solares dobles.**

### \*Cable de carga solar (DC7909)

- Por favor, siga el manual de usuario de Energizer Solar Sunpack para conectar los paneles solares.
- Antes de conectar el/los panel/es solar/es, compruebe si su voltaje de salida está dentro de las especificaciones de la central eléctrica para evitar daños a la central eléctrica.

\*La interfaz de este producto es DC7909. Si necesita un cable adaptador de MC4 a DC7909, por favor póngase en contacto con Energizer Solar en [www.energizersolar.com](http://www.energizersolar.com) sobre cómo comprarlo.

## Carga en el Vehículo



Nota: El fusible del cargador de coche de 15 A está en el interior. En circunstancias anormales, el fusible está fundido; reemplácelo usted mismo.

### \*Cable cargador de vehículo (DC7909)

La central eléctrica puede cargarse mediante un puerto de carga de vehículo. Debe cargarse después de arrancar el vehículo, para evitar que la batería del automóvil se descargue y no pueda arrancar. Al mismo tiempo, asegúrese de que haya una buena conexión entre el puerto de carga del vehículo y el encendedor de cigarrillos. No asumimos ninguna responsabilidad por cualquier pérdida causada por un funcionamiento incorrecto.




## Expansión de la Batería

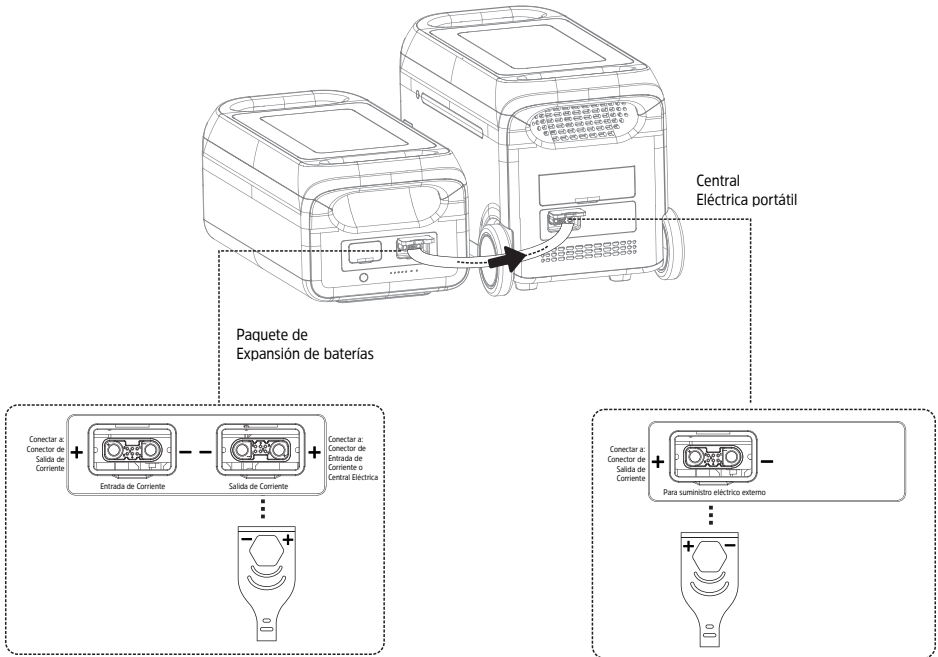
Pueden conectarse simultáneamente hasta seis paquetes de baterías de expansión para necesidades de mayor capacidad.

### Ten en cuenta lo siguiente cuando lo utilice

- Antes de conectar el paquete de baterías de expansión, asegúrese de que tanto la central eléctrica como el paquete de baterías de expansión estén apagados.
- Después de conectar el paquete de baterías de expansión, asegúrese de que el icono del número de paquete de baterías de expansión en paralelo aparece en la pantalla LCD de la central eléctrica antes de empezar a utilizarla.
- No conecte ni desconecte la central eléctrica. Si, durante el proceso de carga y descarga, necesita conectar o desconectar el paquete de baterías de expansión, desconecte primero la alimentación y, a continuación, póngalo en funcionamiento.
- No toque el terminal metálico del puerto de conexión del paquete de baterías de expansión con las manos u otros objetos. Si los terminales están sucios, asegúrese de que la batería está apagada antes de limpiarla.

### 1 central eléctrica portátil y 1 paquete de baterías de expansión en paralelo

1. Apague la central eléctrica y las baterías de expansión antes de ponerlas en paralelo.
2. El cable de conexión en paralelo se enchufa en el puerto de expansión de la central eléctrica portátil y en la salida de alimentación del paquete de baterías de expansión.
3. Una vez finalizada la conexión en paralelo, presione el botón  de conmutación de la central eléctrica portátil para activar la central eléctrica en paralelo y el paquete de baterías de expansión para mostrar la capacidad actual. Cuando la central eléctrica muestra la cantidad en paralelo, la ampliación de la capacidad en paralelo se ha realizado correctamente.
4. Una vez finalizada la conexión en paralelo, conecte la toma correspondiente de la central eléctrica portátil para cargar o descargar (consulte el Manual del usuario de la Energizer Solar Peak 3000 Power Station).

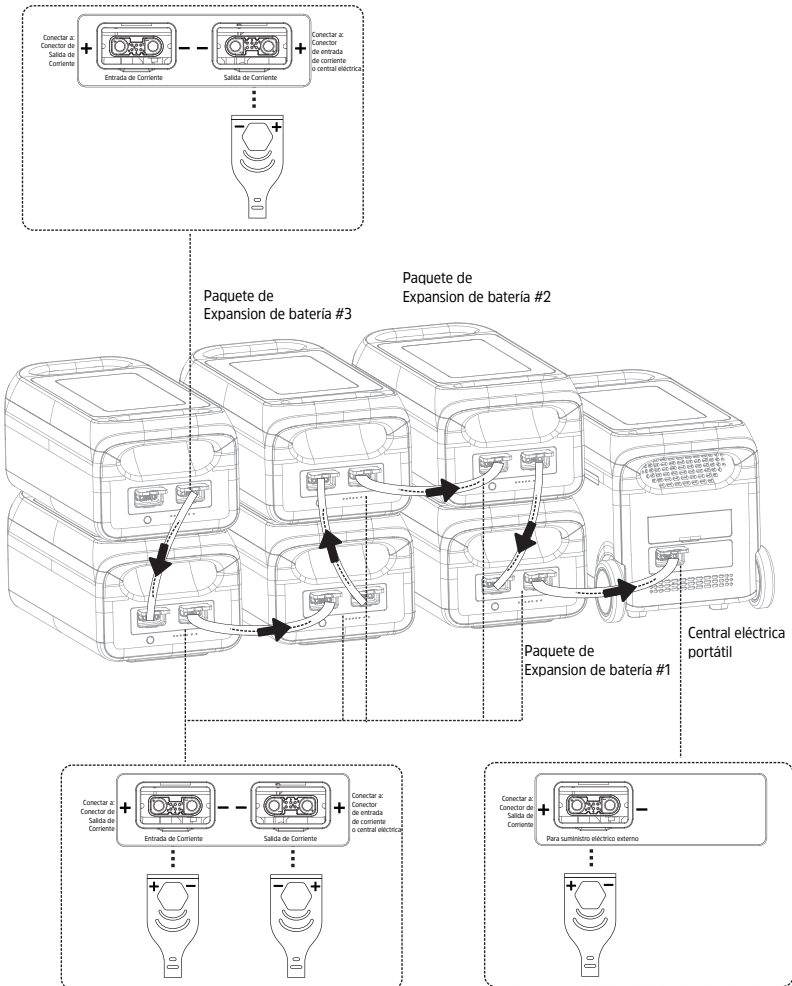


### Observación

Hay símbolos + y - en las baterías y cables en caso de polaridad inversa.

### 1 central eléctrica portátil con varios módulos de baterías de expansión en paralelo:

1. Apague la central eléctrica y las baterías de expansión antes de ser puestas en paralelo.
2. El cable de conexión en paralelo se enchufa al puerto de expansión de la central eléctrica portátil y a la salida de alimentación del paquete de baterías de expansión#1, la entrada de alimentación del paquete de baterías de expansión#2 se conecta a la salida de alimentación del paquete de baterías de expansión#1, la entrada de alimentación del paquete de baterías de expansión#2 se conecta a la salida de alimentación del paquete de baterías de expansión#3, y así sucesivamente hasta seis paquetes de baterías de expansión en paralelo.
3. Una vez realizada la conexión en paralelo, presione el botón de la central eléctrica portátil para activar la central eléctrica portátil en paralelo. El paquete de baterías de expansión mostrará el nivel de capacidad total incluyendo las baterías de expansión adicionales y el número de baterías de expansión en uso.
4. Una vez finalizada la conexión en paralelo, conecte la toma correspondiente de la central eléctrica portátil para cargar o descargar (consulte el Manual del usuario de la Energizer Solar Peak 3000 Power Station).



#### Observación

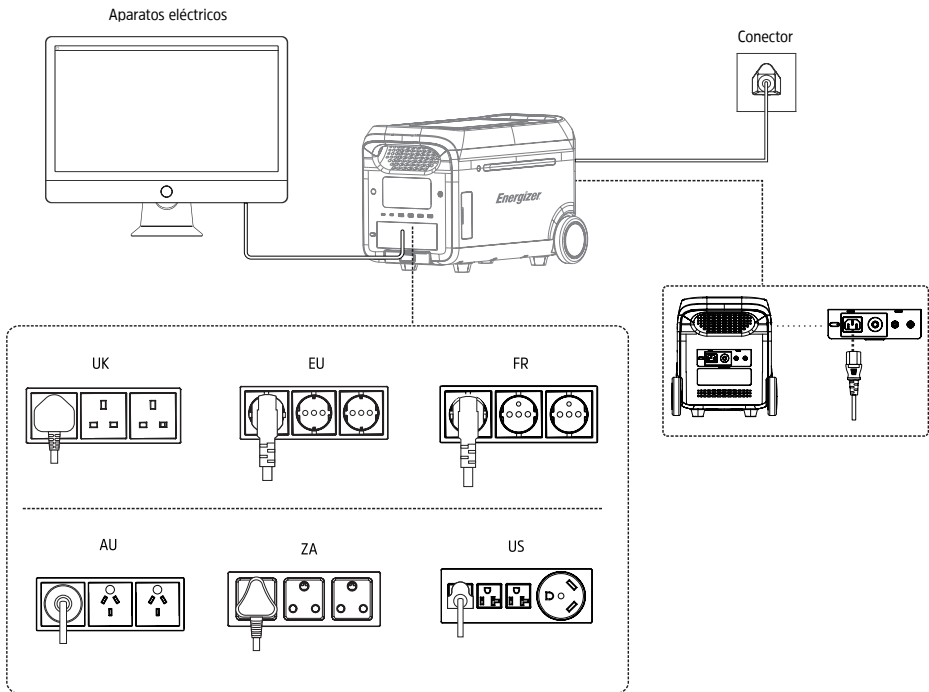
Hay símbolos + y - en las baterías y cables en caso de polaridad inversa.

## Aplicación Energizer Solar Portable Power

Usted puede ver información y datos y controlar este producto a través de la aplicación Energizer Solar Portable Power. Para descargar la aplicación, busque [Energizer Solar Portable Power] en Google App Store o Apple App Store. Una vez descargada, cree una cuenta y registre su producto para gestionarlo y controlar cómo utiliza su Central Eléctrica Portátil Energizer Solar. Para obtener instrucciones de conexión WiFi, visite [www.energizersolar.com](http://www.energizersolar.com) y vaya a la página de recursos.

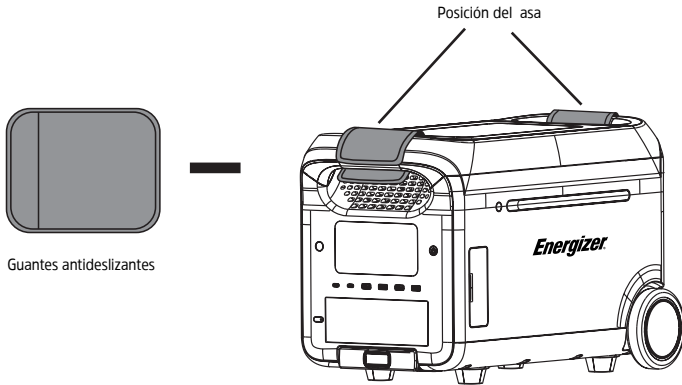
## Función UPS

Este producto admite la función UPS cuando se conecta a la red eléctrica a través del puerto de entrada de AC de este producto mediante el cable de carga de AC. Cuando está conectado a la red eléctrica, el aparato puede utilizar el puerto de salida de AC del producto. En este momento, se encuentra en modo bypass (alimentación de AC procedente de la red, no de la batería); cuando la red se queda sin corriente de repente, el producto puede cambiar automáticamente al modo de alimentación por batería en 14 ms, que es el modo inversor (la alimentación de AC procede de la batería, no de la red). Por favor, no lo conecte a dispositivos que requieran un alto suministro ininterrumpido de energía, como servidores de datos y estaciones de trabajo. Sólo utilice el producto para este fin después de realizar varias pruebas para confirmar si es compatible. Se recomienda utilizar sólo un dispositivo conectado cuando utilice este modo, y no conecte varios dispositivos al mismo tiempo para evitar la protección contra sobrecargas del producto. Si el dispositivo no funciona con normalidad o se pierden datos por no seguir las instrucciones, nuestra empresa no asumirá la responsabilidad correspondiente.



## Guantes Antideslizantes

Dos guantes antideslizantes envuelven las asas delantera y trasera para evitar deslices.



## Preguntas Frecuentes

1. **¿Qué tipo de batería se utiliza?**  
Batería de fosfato de hierro y litio (LiFePO4).

2. **¿Qué equipos se pueden conectar a los puertos de Salida de AC?**

La salida de AC tiene una potencia nominal alta y una potencia máxima, lo que le permite suministrar energía a la mayoría de los electrodomésticos. Sugerimos comprobar la potencia del equipo antes de conectarlo y asegurarse de que la potencia de todos los equipos es inferior a la potencia nominal.

3. **¿Cómo saber el tiempo de suministro?**

El tiempo se muestra en la pantalla LCD, a la que se puede hacer referencia para la estimación de los equipos con consumo de energía estable.

4. **¿Cómo saber si se está cargando?**

Cuando está en carga, la pantalla LCD muestra el tiempo de carga restante. El SOC destella y se muestra la potencia de entrada.

5. **¿Cómo limpiar la unidad?**

Limpie la unidad con un paño de microfibra.

6. **¿Cómo guardar la unidad?**

Apáguela y guárdela en un lugar seco y ventilado. No la exponga cerca del agua. Para el almacenamiento a largo plazo, se recomienda descargar al 0% y cargar al 100% cada 3 meses para prolongar la vida útil.

7. **¿Se puede llevar en avión?**

No, la Energizer Solar Peak 3000 no cumple las normas de aviación.

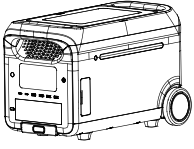
# Mensajes de Error y Soluciones

Icono	Descripción del Fallo	Solución
 01 Error	Falla grave de la batería	Encienda y apague, póngase en contacto con el servicio posventa si sigue sin solucionarse.
 02 Error	$\Delta V$ demasiado grande	Apagado automático, el Fallo se borrará después de reiniciar.
 03 Error	Voltaje BMS	Apagado automático, el Fallo se borrará después de reiniciar.
 Over 04 Error	Sobretemperatura en la batería	Apagado automático, la recuperación de la temperatura permite el arranque.
 Low 05 Error	Batería por debajo de la temperatura	Apagado automático, la recuperación de la temperatura permite el arranque.
 06 Error	Protección de sobrecorriente	Apagado automático, el Fallo se borrará después de reiniciar.
 Over 07 Error	Sobretemperatura	Apagado automático, arranque retardado.
 08 Error	Falla de precarga	Apagado automático, la falla se borrará después de reiniciar.
 09 Error	Falla de baja tensión de la batería	Apagado automático y carga, póngase en contacto con el servicio posventa si no se soluciona después de varios fallos de carga.
 10 Error	Paralelización anormal	Compruebe el cable de conexión. Póngase en contacto con el servicio postventa si sigue sin solucionarse. La función de central eléctrica individual no se ve afectada.
 11 Error	Tensión de batería INV anormal	Recuperación automática una vez solucionado la falla.
 12 Error	Falla de tensión o frecuencia de red	La falla se elimina cuando la red vuelve a la normalidad.
 13 Error	Tensión de BUS INV anormal	Recuperación automática después de eliminar la falla.
 14 Error	Salida INV anormal	Recuperación automática después de eliminar la falla.
Overload  15 Error	Sobrecarga de descarga INV	Retire el dispositivo de sobrealimentación. Recuperación automática tras eliminar la falla.
Overload  16 Error	Sobrecarga de carga	Recuperación automática tras borrar la falla.
 17 Error	INV Tz	Recuperación automática tras borrar la falla.
 18 Error	Cortocircuito batería	La falla se borra tras reiniciar.
 19 Error	Cortocircuito de la salida INV	La falla se borra tras reiniciar.
 Over 20 Error	Falla OTP del MOSFET	Recuperación automática después de enfriar el producto.

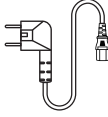
Icono	Descripción del Fallo	Solución
 21 Error	Parada del ventilador	Encender y apagar, póngase en contacto con el servicio postventa si aún no se ha solucionado.
 22 Error	Falla de arranque suave de descarga	Recuperación automática después de eliminar la falla.
 23 Error	Falla de arranque suave de carga	Recuperación automática una vez solucionado la falla.
 Low 24 Error	Falla MOSFET UTP	Encender y apagar, póngase en contacto con el servicio postventa si aún no se ha solucionado.
 25 Error	Falla OCP del hardware Anderson	Elimine la carga FV, recupérese automáticamente tras conectar el FV y encenderlo.
 26 Error	Falla OCP del software de Anderson	Apague la salida, recupérela manualmente una vez eliminado la falla.
 27 Error	Falla de OCP del hardware de FV	Elimine la carga de FV, recupérela automáticamente después de conectar FV y encenderla.
 28 Error	Falla OCP del software de la FV1	Detenga la carga FV1, recuperación automática después de conectar FV y encender.
 29 Error	Falla OCP del software de la FV2	Detenga la carga FV2, recupérela automáticamente después de conectar FV y encenderla.
 30 Error	Falla OCP de la salida de carga del vehículo	Apague la salida, recupérela manualmente después de eliminar la falla.
 31 Error	PCS de la Salida (protección contra sobretensión)	Detenga FV. Recuperación automática después de eliminar la falla.
 32 Error	Falla PCS de la entrada FV1	Detener FV1. Recuperación automática una vez eliminado la falla.
 33 Error	Falla PCS de la Entrada FV2	Parar FV2. Recuperación automática después de eliminar la falla.
 Over 34 Error	Falla OTP del Anderson	Apague la salida, recuperación manual después de borrar la falla.
 Over 35 Error	Falla OTP de la entrada FV1	Parar FV1. Recuperación automática una vez eliminado la falla.
 Over 36 Error	Falla OTP de la FV2	Parar FV2. Recuperación automática después de eliminar la falla.
 38 Error	Falla OTP de la salida de carga del vehículo	Apague la salida, recuperación manual después de borrar la falla.
 Over 37 Error	Comunicación anormal	Encienda y apague o cambie el entorno de funcionamiento. Si no se soluciona, póngase en contacto con el servicio postventa.
 USB-A 39 Error	USB anormal	Recuperación automática después de quitar el USB anormal.
 USB-C 40 Error	Tipo C anormal	Recuperación automática tras eliminar el tipo C anormal.

Si se produce una advertencia durante el uso de este producto y el icono de advertencia sigue sin desaparecer tras reiniciar el dispositivo, deje de utilizarlo inmediatamente (no intente cargarlo ni descargarlo). Si ninguna de las informaciones anteriores puede resolver el problema que se le presenta, póngase en contacto con Energizer Solar en [www.energizersolar.com](http://www.energizersolar.com)

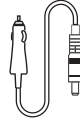
## Qué hay en la caja



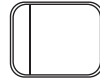
Central Eléctrica



Cable AC



Cable del carga del vehículo



Guantes antideslizantes

## Mantenimiento

- Se recomienda utilizar o almacenar la central eléctrica dentro del intervalo óptimo de temperatura de funcionamiento. Asegúrese de mantenerla alejada del agua, los calentadores y las superficies metálicas.
- Para el almacenamiento a largo plazo, cargue y descargue cada 3 meses, es decir, descargue al 0% y luego cargue al 100%.
- Por razones de seguridad, evite almacenar la central eléctrica a temperaturas superiores a 45°C (113°F) o inferiores a -20°C (4°F).
- Si la capacidad es inferior al 1%, cárguela al 60%. El almacenamiento prolongado con grave escasez de energía provocará daños irreversibles en las celdas de la batería y acortará la vida útil del producto. Los productos que no se hayan cargado y descargado durante más de 6 meses no están garantizados.
- Si la capacidad de la batería llega a ser críticamente baja, y el dispositivo permanece inactivo durante un período prolongado, el producto entrará en modo de reposo profundo y sólo podrá ser utilizado de nuevo después de ser recargado.
- Después de cargar o descargar este producto, debe esperar más de 30 minutos antes de utilizarlo.

## Excepción de responsabilidad

- El producto incorpora un sistema de gestión de batería el cual tiene medidas de protección, como sobrecarga, sobredescarga, sobrecorriente, cortocircuito, alta y baja temperatura y comunicación anormal. Durante el uso de este producto, estos mecanismos de protección pueden activarse y provocar una interrupción temporal de la salida. Energizer Solar no se hace responsable de las posibles pérdidas derivadas de interrupciones accidentales de la alimentación mientras se suministra energía a equipos específicos, como dispositivos médicos o servidores.
- Antes de utilizar la central eléctrica, por favor, lea este manual del usuario para garantizar su comprensión y uso correcto. Después de leer el manual del usuario, guárdelo para futuras consultas. Un uso inadecuado puede causar lesiones graves a usted mismo lesiones graves o daños materiales. Una vez que utilice la central eléctrica, se considera que ha comprendido y aceptado todos los términos y contenidos del presente documento. Se espera que los usuarios asuman la responsabilidad de sus acciones y de las consecuencias resultantes. Energizer Solar no se hace responsable de las pérdidas que puedan producirse si los usuarios no siguen las instrucciones de este manual de usuario.
- En cumplimiento de las leyes y normativas, la empresa se reserva el derecho de interpretación final de este documento y de todos los documentos relacionados con este producto. Sujeto a actualización, revisión o finalización sin previo aviso, visite [www.energizersolar.com](http://www.energizersolar.com) para obtener la información más reciente sobre el producto.

# Inhalt

<b>Parameter</b>	<b>1</b>
<hr/>	
<b>Sicherheitsrichtlinien</b>	
<hr/>	
Warnung	2
Entsorgung	3
<b>Benutzungsrichtlinien</b>	
<hr/>	
Produktübersicht	4
LCD-Bildschirm	6
Nutzung	6
AC-Laden	9
PV-Laden	10
Autoladung	10
Batterieerweiterung	11
Energizer Solar Portable Power App	11
USV-Funktion	12
Anti-Rutsch-Griffe	12
<b>FAQ</b>	<b>13</b>
<hr/>	
<b>Error Messages &amp; Solutions</b>	<b>15</b>
<hr/>	
<b>Lieferumfang</b>	<b>15</b>
<hr/>	
<b>Wartung</b>	<b>15</b>
<hr/>	
<b>Haftungsausschluss</b>	
<hr/>	



# Parameter

<b>Allgemein</b>	
<b>Nettogewicht</b>	34kg (75lbs)
<b>Maße (B x H x T)</b>	536 x 303 x 343mm (21,1" x 12" x 13,5")
<b>Akkukapazität</b>	2560Wh 51.2V $\approx$ ,50Ah
<b>WLAN</b>	Unterstützt
<b>Ausgang (EU/FR/AU/ZA)</b>	
<b>AC-Ausgang x 3 (Wechselrichtermodus)</b>	Reine Sinuswelle, insgesamt 3000W (Spitze 5000W), 220-240V $\sim$ (50/60Hz), 16A
<b>AC-Ausgang (Bypass-Modus)</b>	220-240V $\sim$ (50/60Hz), 2300W Max, 10A Max
<b>Ausgang (UK)</b>	
<b>AC-Ausgang x 4 (Wechselrichtermodus)</b>	Reine Sinuswelle, insgesamt 3000W (Spitze 5000W), 220-240V $\sim$ (50/60Hz), 13A
<b>AC-Ausgang (Bypass-Modus)</b>	220-240V $\sim$ (50/60Hz), 2300W Max, 10A Max
<b>Ausgang (US)</b>	
<b>AC-Ausgang x 4 (Wechselrichtermodus)</b>	AC-Ausgang (x3): 100-120V $\sim$ (60Hz), 20A 2400W AC-Ausgang (x1): 100-120V $\sim$ (60Hz), 25A 3000W
<b>AC-Ausgang (Bypass-Modus)</b>	100-120V $\sim$ (60Hz), 1800W Max, 15A Max
<b>Andere Ausgänge</b>	
<b>USB-A x 2</b>	5V $\approx$ 2,4A, 12W Max
<b>USB-A Schnellladen x 2</b>	5V $\approx$ 3A, 9V $\approx$ 2A, 12V $\approx$ 1.5A, 18W Max
<b>USB-C x 2</b>	5/9/12/15V $\approx$ 3A, 20V $\approx$ 5A, 100W Max
<b>Anderson Terminal Ausgang</b>	12,6V $\approx$ 30A, 378W Max
<b>Autoladegerät</b>	12,6V $\approx$ 10A, 126W Max
<b>DC5521 Ausgang x 2</b>	12,6V $\approx$ 3A

\* Autoladegerät und DC5521 teilen sich die Leistung, 126W max.

\* Wechselrichtermodus: Der Wechselstrom kommt von der Batterie, nicht aus dem Netz.

\* Bypass-Modus: Der Wechselstrom kommt aus dem Netz, nicht aus der Batterie.

<b>Eingang (UK/EU/FR/AU/ZA)</b>	
<b>AC-Eingangsleistung</b>	2300W Max, 10A
<b>AC-Eingangsspannung</b>	220-240V $\sim$ (50/60Hz)
<b>Eingang (US)</b>	
<b>AC-Eingangsleistung</b>	1800W Max, 15A
<b>AC-Eingangsspannung</b>	100-120V $\sim$ (60Hz)
<b>Andere Eingänge</b>	
<b>PV Panel x 2</b>	13-45V $\approx$ 12A, 800W Max
<b>Autoanschluss Eingang</b>	12V/24V Batterieunterstützung, standardmäßig 8A

# Parameter

<b>Eingang Laden (UK/EU/FR/AU/ZA)</b>	
<b>AC-Ladeleistung</b>	2000W Max
<b>Eingang Laden (US)</b>	
<b>AC-Ladeleistung</b>	1800W Max
<b>Andere Eingänge Laden</b>	
<b>PV/Autoladeleistung x 2</b>	800W Max
<b>Ladeleistung AC+PV</b>	2560W Max
<b>Batterie</b>	
<b>Zellentyp</b>	Lithium-Eisenphosphat (LiFePO <sub>4</sub> )
<b>Lebenszyklus</b>	4.000 Zyklen
<b>Schutzart</b>	Übertemperaturschutz, Untertemperaturschutz, Entladungsschutz, Überladungsschutz, Überlastungsschutz, Kurzschlusschutz, Überstromschutz
<b>Betriebstemperatur</b>	
<b>Optimale Betriebstemperatur</b>	20°C ~ 30°C (68°F ~ 86°F)
<b>Entladung Umgebungstemperatur</b>	-20°C ~ 45°C (-4°F ~ 113°F)
<b>Ladung Umgebungstemperatur</b>	0°C ~ 45°C (32°F ~ 113°F)
<b>Lagerung Umgebungstemperatur</b>	-20°C ~ 45°C (-4°F ~ 113°F)

\*Ob das Produkt geladen oder entladen werden kann, hängt von der tatsächlichen Temperatur des Akkupacks ab.

<b>Batterieerweiterung</b>	
<b>Stromeingang/-ausgang</b>	40-58.8V↔50A laden (Max.), 70A entladen (Max.)
<b>Nennenergie</b>	2560Wh, unterstützt max. 6 Erweiterungsakkus

# Sicherheitsrichtlinien

## Warnung

1. Lassen Sie eine in Betrieb befindliche Power Station nicht in der Nähe einer Wärmequelle stehen, wie z. B. Feuer oder Heizung.
2. Achten Sie darauf, dass der Erweiterungsakku nicht mit Flüssigkeiten in Berührung kommt. Tauchen Sie dieses Produkt nicht in Wasser und machen Sie es nicht nass. Benutzen Sie das Produkt nicht im Regen oder einer feuchten Umgebung.
3. Verwenden Sie die Power Station nicht in einer Umgebung mit starker elektrostatischer Ladung oder starken Magnetfeldern.
4. Zerlegen Sie die Power Station nicht und stechen Sie nicht mit einem scharfen Gegenstand hinein.
5. Verwenden Sie keine Drähte oder andere Metallgegenstände, um das Produkt kurzzuschließen.
6. Vermeiden Sie es, auf die Power Station zu treten, zu sitzen oder zu klettern.
7. Verwenden Sie keine Teile oder Zubehörteile, die nicht im Lieferumfang enthalten sind. Wenn Sie einen Ersatz benötigen, wenden Sie sich bitte an Energizer Solar unter [www.energizersolar.com](http://www.energizersolar.com).

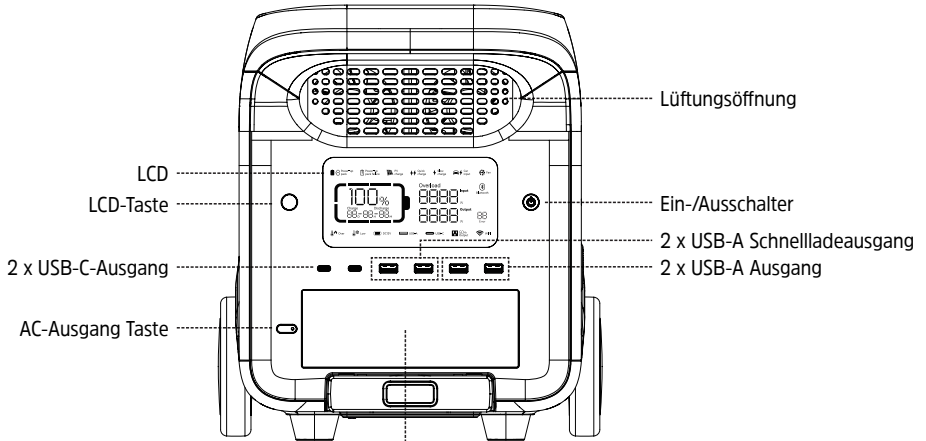
8. Bitte beachten Sie bei der Verwendung der Power Station die Temperaturreichtlinien, die in dieser Bedienungsanleitung beschrieben sind. Zu hohe Temperaturen können zu einer Entzündung der Batterie führen, während zu niedrige Temperaturen die Leistung der Power Station und den normalen Betrieb erheblich beeinträchtigen können.
9. Stellen Sie keine schweren Gegenstände auf die Power Station.
10. Halten Sie den Lüfter nicht gewaltsam an und setzen Sie die Power Station während dem Betrieb nicht in ungelüfteten oder staubigen Umgebungen aus.
11. Vermeiden Sie Stürze und starke Erschütterungen. Schalten Sie bei schweren Stößen die Power Station sofort ab. Bitte sichern Sie die Power Station während des Transports, um Vibrationen und Stöße zu vermeiden.
12. Wenn die Power Station versehentlich ins Wasser fällt, legen Sie sie an einen sicheren und geräumigen Ort und halten Sie einen Sicherheitsabstand ein, bis sie vollständig trocken ist. Versuchen Sie auch nach dem Trocknen des Produkts nicht, es erneut zu verwenden. Entsorgen Sie es gemäß dem Abschnitt "Entsorgung" in diesem Benutzerhandbuch. Wenn die Power Station in Betrieb ist, verwenden Sie bitte die empfohlenen Löschmethoden in folgender Reihenfolge: Wasser oder Wasserdampf, Sand, Löschdecke, Trockenpulver, Kohlendioxidlöcher.
13. Wenn die Oberfläche verschmutzt ist, reinigen Sie diese mit einem Mikrofaser Tuch.
14. Behandeln Sie die Power Station vorsichtig, um Schäden zu vermeiden. Im Falle eines schweren Aufpralls, bei dem die Power Station umkippt und erheblichen Schaden nimmt, schalten Sie sie sofort aus. Stellen Sie die Power Station an einem gut belüfteten Ort auf, entfernt von brennbaren Materialien und Menschen. Entsorgen Sie es gemäß den örtlichen Gesetzen und Vorschriften.
15. Bewahren Sie die Power Station außerhalb der Reichweite von Kindern und Haustieren auf.
16. Bewahren Sie die Power Station an einem trockenen und belüfteten Ort auf.
17. In feuchten Umgebungen, wie z. B. am Meer oder in Wassernähe, ist es ratsam, die Power Station in einer feuchtigkeitsgeschützten Tasche zu transportieren. Wenn Sie in der Power Station Wasser entdecken, dürfen Sie sie nicht mehr benutzen oder starten. Treffen Sie Vorkehrungen zur Vermeidung von Stromschlägen, bevor Sie die Power Station benutzen. Bewahren Sie sie an einem sicheren, wassergeschützten Ort auf und wenden Sie sich umgehend an den Kundenservice.
18. Es wird nicht empfohlen, die Power Station für die Stromversorgung sicherheitskritischer medizinischer Notfallausrüstung zu verwenden, wie z. B. medizinischer Beatmungsgeräte (Krankenhausversion CPAP: Continuous Positive Airway Pressure) und künstlicher Lungen (ECMO: Extracorporeal Membrane Oxygenation). Sie eignet sich jedoch für den Betrieb eines CPAP-Geräts zu Hause, das keine kontinuierliche professionelle Überwachung erfordert. Befolgen Sie immer die Empfehlungen Ihres Arztes und informieren Sie sich bei Energizer Solar über eventuelle Nutzungseinschränkungen des Geräts. Bei allgemeinen medizinischen Geräten überwachen Sie bitte die Stromstärke, um sicherzustellen, dass die Stromversorgung nicht unterbrochen wird.
19. Netzteile erzeugen elektromagnetische Felder, die implantierbare medizinische Geräte oder den normalen Betrieb von persönlichen medizinischen Geräten wie Herzschrittmachern, Cochlea-Implantaten, Hörgeräten und Defibrillatoren stören können.
20. Wenn die Power Station an einen Kühlschrank angeschlossen ist, kann sie sich durch die Stromschwankungen des Kühlschranks automatisch abschalten. Wenn Sie das Netzteil an einen Kühlschrank anschließen, in dem Medikamente, Impfstoffe oder andere wertvolle Gegenstände aufbewahrt werden, empfiehlt es sich, den AC-Ausgang in der Energizer Solar Portable Power App auf "Niemals aus" zu stellen, um eine kontinuierliche Stromversorgung zu gewährleisten. Die Benutzer sollten auf den Stromverbrauch achten.
21. Es wird dringend empfohlen, während dem Verschieben des Produkts keine anderen Gegenstände auf der Power Station abzustellen..

## Entsorgung

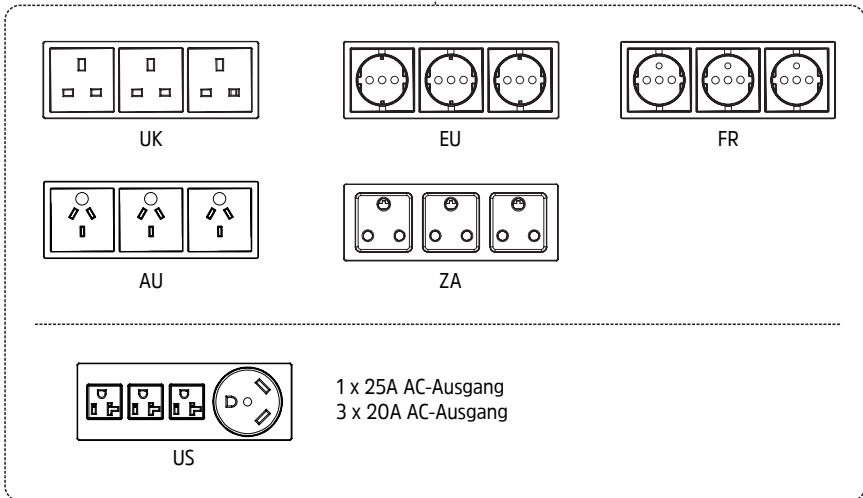
1. Vergewissern Sie sich, wenn möglich, dass die Power Station vollständig entladen ist, bevor Sie sie in einen dafür vorgesehenen Batterie-Recyclingbehälter geben. Die Power Station enthält potenziell gefährliche Batterien, die nicht in den normalen Müll geworfen werden dürfen. Beachten Sie die örtlichen Gesetze und Vorschriften für das ordnungsgemäße Recycling und die Entsorgung von Batterien.
2. Wenn die Batterie aufgrund einer Fehlfunktion des Produkts nicht vollständig entladen werden kann, sollten Sie sie nicht direkt in den Batterie-Recyclingbehälter geben. Wenden Sie sich stattdessen an ein professionelles Recycling-Unternehmen, um die Batterien fachgerecht zu entsorgen.
3. Wenn der Akku nach einer Überentladung nicht wieder funktioniert, sollte er sicher als Abfall entsorgt werden.

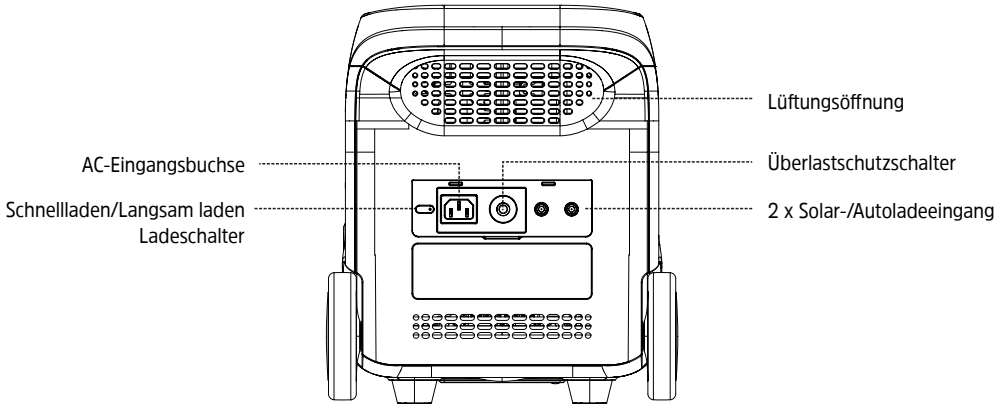
# Benutzungsrichtlinien

## Produktübersicht

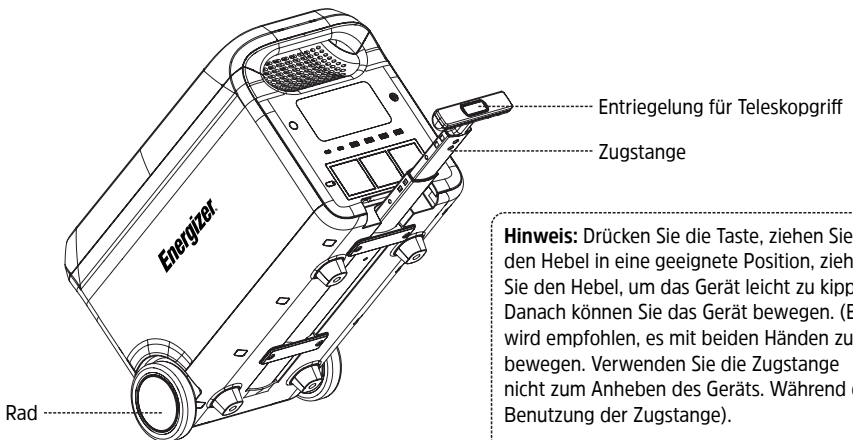
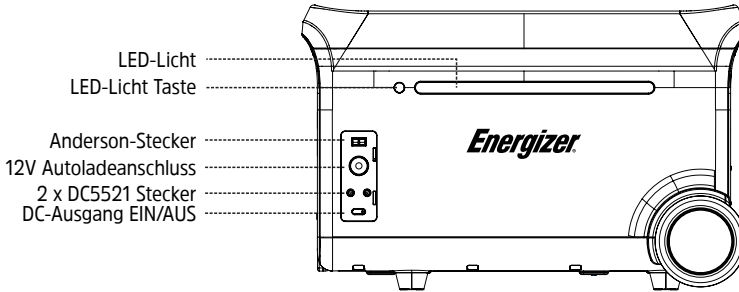


AC-Ausgang Buchsen



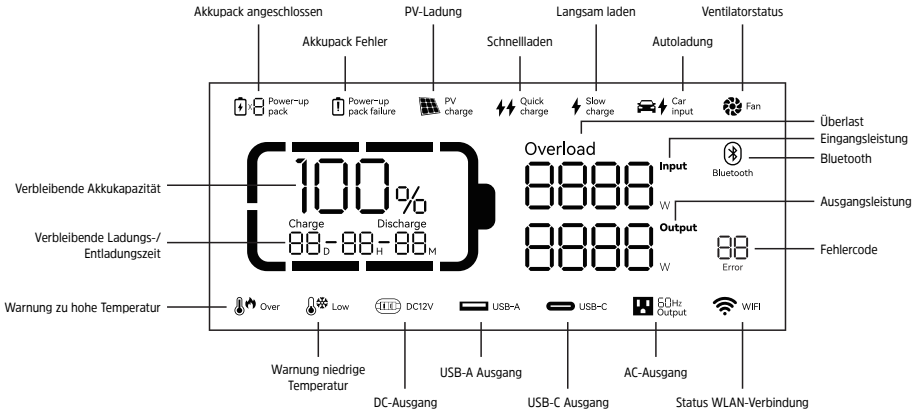


US AC plug show above



**Hinweis:** Drücken Sie die Taste, ziehen Sie den Hebel in eine geeignete Position, ziehen Sie den Hebel, um das Gerät leicht zu kippen. Danach können Sie das Gerät bewegen. (Es wird empfohlen, es mit beiden Händen zu bewegen. Verwenden Sie die Zugstange nicht zum Anheben des Geräts. Während der Benutzung der Zugstange).

## LCD-Anzeige



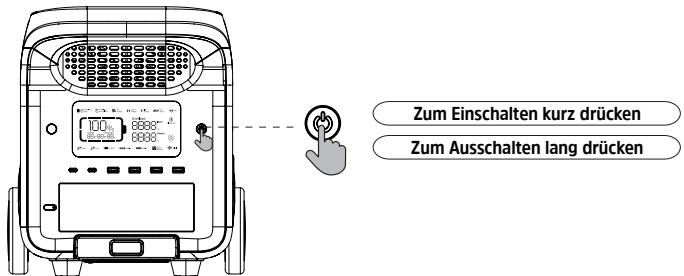
**Batteriekapazität:** Wenn die Power Station aufgeladen wird, blinkt das SOC-Symbol.

**WLAN-Verbindungsstatus:** Das blinkende Symbol zeigt an, dass die Power Station zur Kopplung bereit ist. Das Symbol blinkt ständig, wenn ein Mobiltelefon und eine Power Station über einen Hotspot verbunden sind. Wenn die Netzwerkverbindung erfolgreich war, leuchtet das Symbol dauerhaft. Wenn die Verbindung fehlschlägt, wird das Symbol nicht angezeigt.

\* Bitte beachten Sie die Fehlermeldungen und Lösungen für weitere Details zu den Fehlermeldungen.

## How to Use

**Hinweis:** Durch langes Drücken der EIN/AUS-Taste wird das BMS neu gestartet und die Fehlerinformation gelöscht.

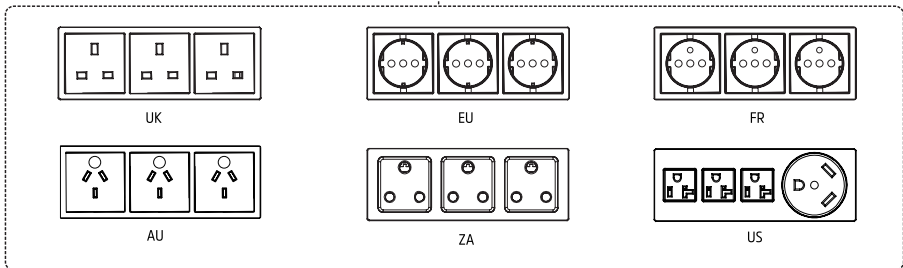
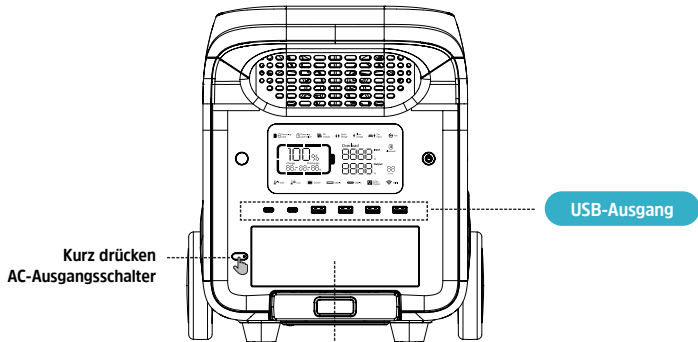


### Ein/Aus

- Drücken Sie den Hauptschalter, um das Gerät einzuschalten. Der Bildschirm leuchtet auf und die Hauptstromanzeige blinkt langsam.
- Wenn 5 Minuten lang keine Bedienung erfolgt, geht die Power Station in den Ruhezustand und die LCD-Anzeige schaltet sich automatisch aus. Bei Lastwechsel oder Betrieb der Power Station leuchtet der LCD-Bildschirm automatisch auf. Drücken Sie den Hauptschalter, um die LCD-Anzeige ein- oder auszuschalten.
- Halten Sie den Netzschalter gedrückt, um die LCD-Anzeige ein- oder auszuschalten.
- Im normalen Modus (Leistung über 5%) beträgt die normale Standby-Zeit des Geräts 2 Stunden. Wenn der AC-Ausgangsschalter nicht eingeschaltet ist und 2 Stunden lang keine Ladung oder Entladung erfolgt, schaltet sich das Gerät automatisch ab. Die Standby-Zeit kann über die Energizer Solar Portable Power App eingestellt werden. Wenn die Leistung 5% oder weniger beträgt, wird das Gerät in den Energiesparmodus wechseln. Wenn keine Ladung oder Entladung erfolgt, passt das Produkt die Standby-Zeit entsprechend der Leistung an und schaltet sich automatisch ab.

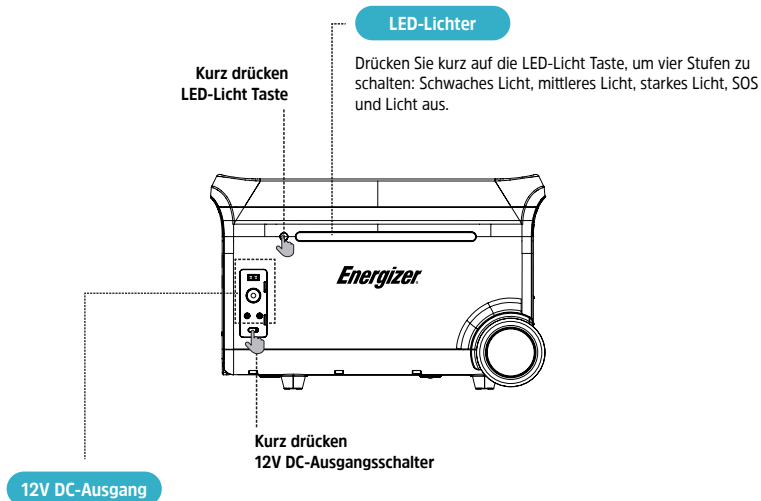
- Drücken Sie im Normalmodus lange auf die LED-Lichttaste, um die automatische Abschaltfunktion zu beenden. Das Batteriesymbol (🔋) auf dem Bildschirm blinkt. Drücken Sie erneut lange, um die automatische Abschaltfunktion zu aktivieren. Das Batteriesymbol (🔋) blinkt nicht. Die automatische Abschaltfunktion dient dazu, den Akku bei niedrigem Stromverbrauch zu schützen. Das Deaktivieren dieser Einstellung kann die Lebensdauer des Akkus beeinträchtigen - bitte verwenden Sie sie mit Vorsicht.

**Hinweis:** Wenn kein AC-Eingang aktiv ist, können Sie durch langes Drücken der obigen AC-Ausgangstaste die netzunabhängige AC-Ausgangsfrequenz umschalten (🇪🇺 50Hz / 🇺🇸 60Hz). Drücken Sie zum Umschalten 2s lang und das AC-Ausgangssymbol blinkt nach erfolgreichem Umschalten 3 Mal.



### AC-Ausgang

- Nachdem Sie sich vergewissert haben, dass die Hauptstromversorgung eingeschaltet ist, drücken Sie kurz auf den Netzschalter des AC-Ausgangs, um den AC-Ausgang einzuschalten. Drücken Sie den Netzschalter am AC-Ausgang erneut kurz, um das Gerät auszuschalten.
- Die normale Standby-Zeit des AC-Ausgangs beträgt 1 Stunde. Nach 1 Stunde ohne Last am AC-Ausgang des Geräts wird der AC-Ausgang automatisch ausgeschaltet. Wenn Sie im Normalmodus die LED-Leuchttaste lange drücken, kann der AC-Ausgangsschalter die automatische Abschaltung verlassen und das Batteriesymbol (🔋) auf dem Bildschirm blinkt. Durch erneutes langes Drücken geht der AC-Ausgang in die automatische Abschaltung und das Batteriesymbol (🔋) blinkt nicht.
- Drücken Sie lange auf die LED-Lichttaste, um die automatische AC-Abschaltung zu lassen: Sie ist für AC-Geräte unter 10W und für Impulsgeräte geeignet.
- Wenn der AC-Ausgang nicht benutzt wird, schalten Sie ihn aus, um Strom zu sparen.

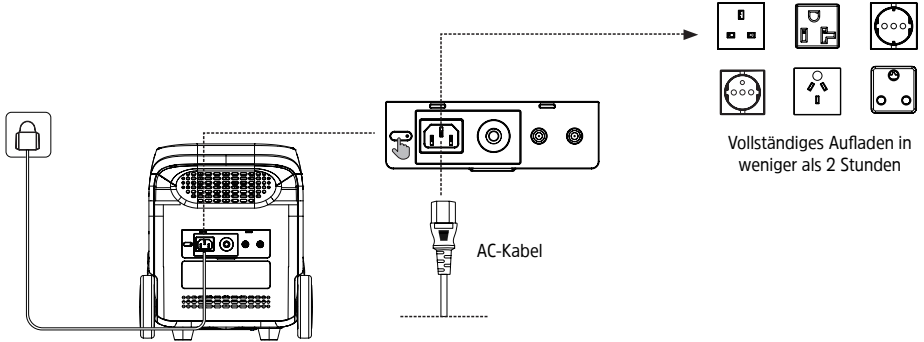


- Drücken Sie nach dem Einschalten des Hauptschalters den 12 DC-Ausgangsschalter, um den DC-Ausgang zu aktivieren.
- Drücken Sie den 12 VDC-Ausgangsschalter erneut, um das Gerät auszuschalten.
- Wenn der 12 VDC-Ausgangsschalter eingeschaltet wird, schaltet sich die Power Station nicht automatisch ab.

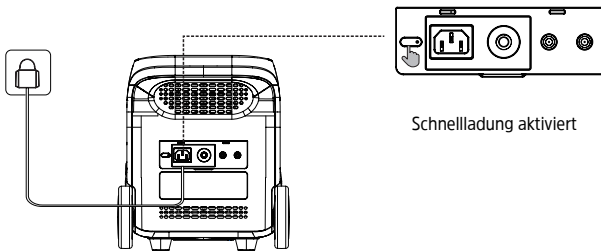


## AC-Laden

Die Schnellladetechnologie ist für das Laden mit Wechselstrom ausgelegt. Sie können die Ladeleistung über den AC-Ladegeschwindigkeitsschalter steuern. Der langsame Lademodus ist standardmäßig aktiviert, wenn die Power Station eingeschaltet wird, und kann mit der Taste in den Schnelllademodus umgeschaltet werden. Die Umschaltung zwischen den Lademodi kann auch über die Energizer Solar Portable Power App eingestellt werden. Wenn der Strom dauerhaft höher als 20A ist, startet der Ladeeingang die Selbstschutzfunktion, und der Überlastschuttschalter wird automatisch ausgelöst. Drücken Sie den Überlastschuttschalter, um den Ladevorgang wieder aufzunehmen, nachdem Sie sichergestellt haben, dass kein Fehler vorliegt.



Schnelles und langsames Laden kann mit der Taste umgeschaltet werden.

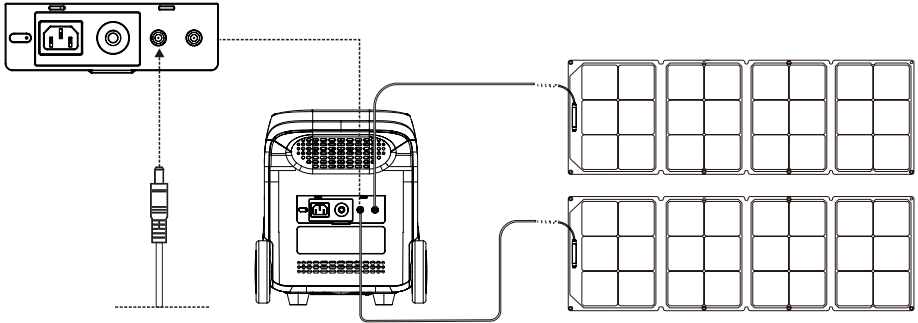


**Der Ladeleistungsbereich kann über die Energizer Solar Portable Power App eingestellt werden.**

Bitte verwenden Sie zum Schnellladen das Standard AC-Ladekabel. Das AC-Ladekabel sollte direkt in eine Steckdose mit 10A (oder mehr) eingesteckt werden. Energizer Solar haftet nicht für Schäden, die durch die Verwendung von unspezifischen AC-Ladekabeln oder Nichtbeachtung der Anweisungen entstehen.

Hinweis: Beim AC-Laden über die Power Station (US-Modell) verwenden Sie bitte das offizielle Standard AC-Ladekabel. Der Stecker des AC-Ladekabels muss direkt an eine Steckdose angeschlossen werden, die mehr als 15A Stromstärke liefert. Energizer Solar haftet nicht für Schäden, die durch die Verwendung von unspezifischen AC-Ladekabeln oder Nichtbeachtung der Anweisungen entstehen.

## PV-Laden



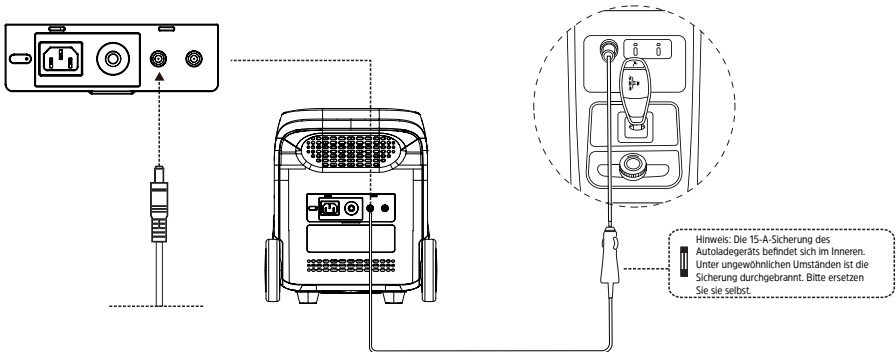
Solarzellen können zum Aufladen der Power Station verwendet werden, wie oben dargestellt

**Unterstützt zwei Solarmodule.**

### \*Solar-Ladekabel (DC7909)

- Bitte folgen Sie dem Energizer Solar Sunpack Benutzerhandbuch, um die Solarmodule anzuschließen.
- Prüfen Sie vor dem Anschluss des/der Solarmodule(s), ob die Ausgangsspannung mit den Spezifikationen der Power Station übereinstimmen, um Schäden an der Power Station zu vermeiden.

\*Die Schnittstelle des Produkts ist DC7909. Wenn Sie ein Adapterkabel von MC4 auf DC7909 benötigen, wenden Sie sich bitte an Energizer Solar unter [www.energizersolar.com](http://www.energizersolar.com).



### \*Autoladekabel (DC7909)

Die Power Station kann über einen Autoladeanschluss geladen werden. Sie sollte nach dem Starten des Fahrzeugs geladen werden, um zu verhindern, dass die Autobatterie entladen wird und das Auto nicht mehr startet. Achten Sie gleichzeitig auf eine gute Verbindung zwischen dem Ladeanschluss im Auto und dem Zigarettenanzünder. Wir übernehmen keine Verantwortung für Schäden, die durch unsachgemäße Bedienung entstehen.


## Batterieerweiterung

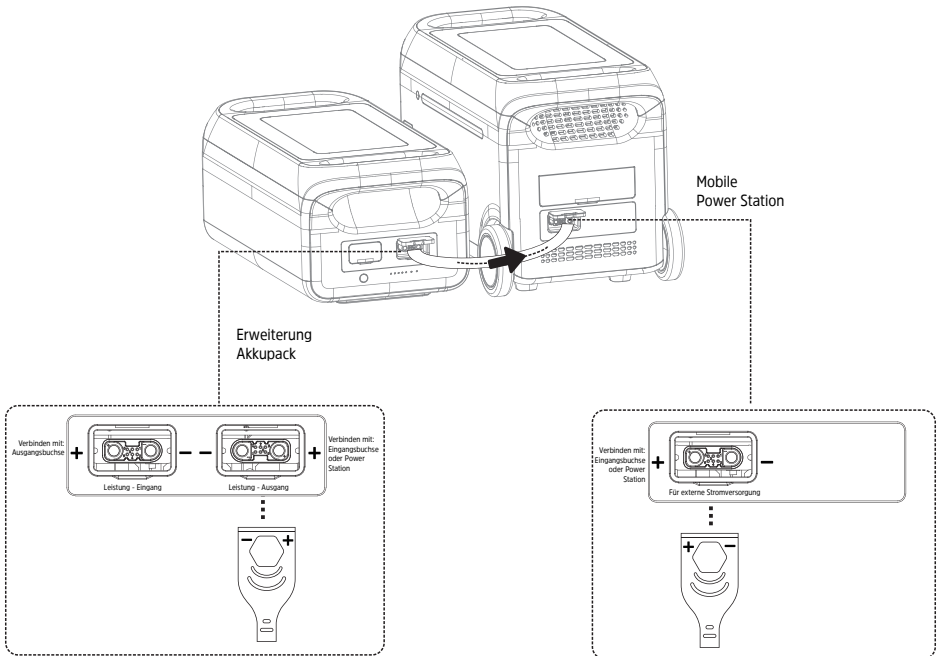
Bei größerem Kapazitätsbedarf können bis zu sechs Erweiterungsakkus gleichzeitig angeschlossen werden.

### Beachten Sie bei der Verwendung

- Bevor Sie den Erweiterungsakku anschließen, vergewissern Sie sich bitte, dass Power Station und Erweiterungsakku ausgeschaltet sind.
- Vergewissern Sie sich nach dem Anschluss des Erweiterungsakkus, dass das Symbol für die Anzahl der parallelen Erweiterungsakkus auf der LCD-Anzeige der Power Station angezeigt wird, bevor Sie diese in Betrieb nehmen.
- Bitte die Power Station nicht anschließen und entfernen. Wenn Sie während des Lade- und Entladevorgangs den Erweiterungsakku anschließen oder entfernen müssen, schalten Sie bitte zuerst das Gerät aus und fahren dann fort.
- Berühren Sie die Metallklemme an der Anschlussbuchse des Erweiterungsakkus nicht mit den Händen oder anderen Gegenständen. Wenn die Pole verschmutzt sind, stellen Sie sicher, dass die Batterie vor einer Reinigung ausgeschaltet ist.

### 1 mobile Power Station und 1 Erweiterungsakku im Parallelbetrieb

1. Schalten Sie die Power Station und die Erweiterungsakkus aus, bevor Sie diese parallel schalten.
2. Das parallele Verbindungskabel wird in den Erweiterungsanschluss der mobilen Power Station und in den Stromausgang des Erweiterungsakkus eingesteckt.
3. Nachdem die Parallelschaltung abgeschlossen ist, drücken Sie die Taste  der mobilen Power Station, damit die Power Station mit dem Erweiterungsakku die aktuelle Kapazität anzeigt. Wenn die Power Station die parallelen Werte anzeigt, war die Kapazitätserweiterung erfolgreich.
4. Nachdem die Parallelschaltung abgeschlossen ist, schließen Sie die entsprechende Steckdose der tragbaren Stromstation zum Laden oder Entladen an (siehe Benutzerhandbuch Energizer Solar Peak 3000 Power Station).

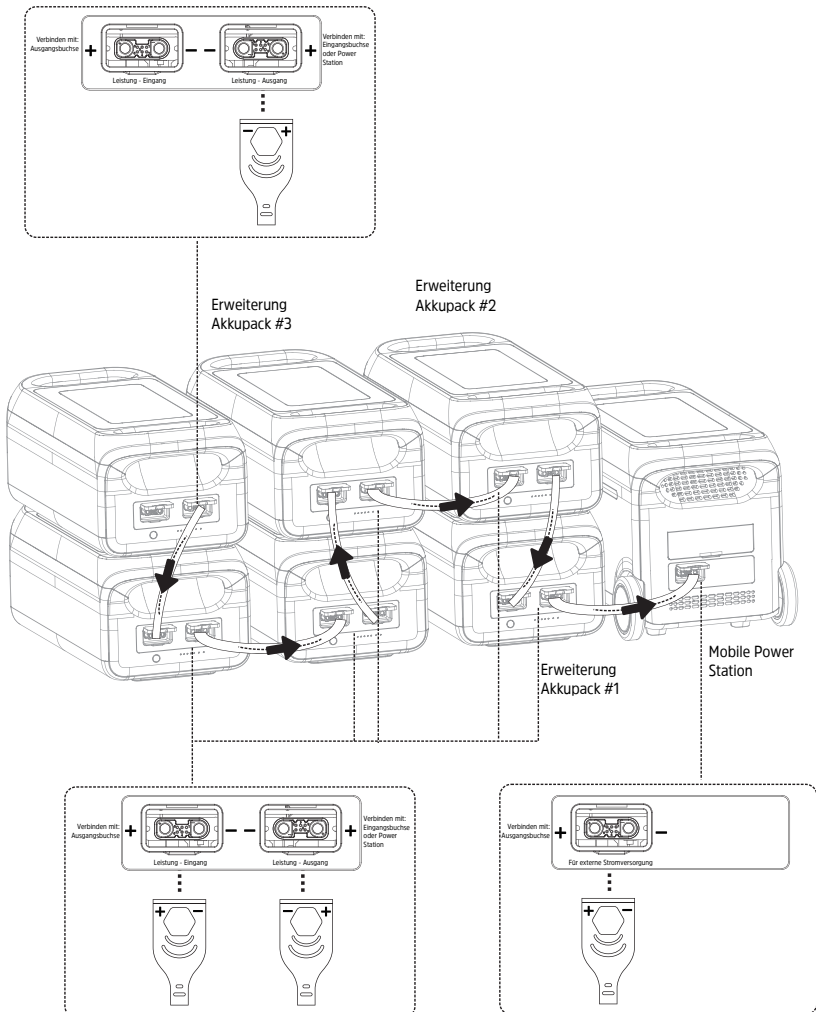


### Hinweis

Auf den Akkus und Kabeln befinden sich + und - Symbole für den Fall, dass die Pole vertauscht sind.

### 1 mobile Power Station mit mehreren parallel geschalteten Erweiterungsakkus:

1. Schalten Sie die Power Station und die Erweiterungsakkus aus, bevor Sie diese parallel schalten.
2. Das parallele Verbindungskabel wird in den Erweiterungsanschluss der mobilen Power Station und den Stromausgang des Erweiterungsakkus Nr. 1 eingesteckt, der Stromeingang des Erweiterungsakkus Nr. 2 wird mit dem Stromausgang des Erweiterungsakkus Nr. 2 verbunden, und so weiter für bis zu sechs parallele Erweiterungsakkus.
3. Nachdem die Parallelschaltung abgeschlossen ist, drücken Sie die Taste an der mobilen Power Station, um die parallele Power Station zu aktivieren. Am Erweiterungsakku wird die Gesamtkapazität einschließlich der zusätzlichen Erweiterungsakkus und die Anzahl der verwendeten Erweiterungsakkus angezeigt.
4. Nachdem die Parallelschaltung abgeschlossen ist, schließen Sie die entsprechende Steckdose der tragbaren Stromstation zum Laden oder Entladen an (siehe Benutzerhandbuch Energizer Solar Peak 3000 Power Station).



#### Hinweis

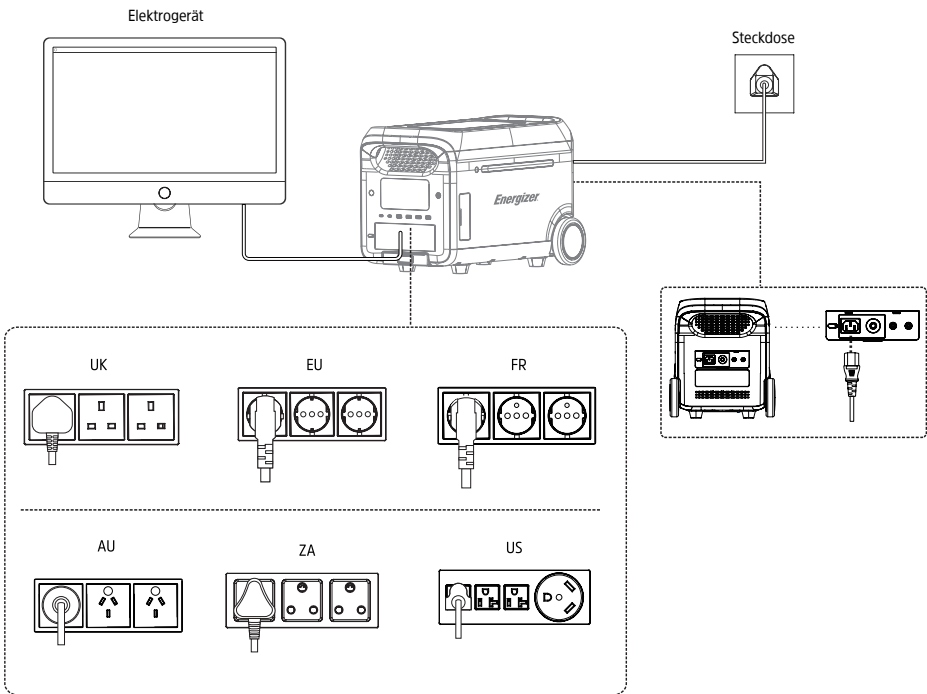
Auf den Akkus und Kabeln befinden sich + und - Symbole für den Fall, dass die Pole vertauscht sind.

## Energizer Solar Portable Power App

Über die Energizer Solar Portable Power App können Sie Informationen und Daten einsehen und das Gerät steuern. Um die App herunterzuladen, suchen Sie im Google App Store oder Apple App Store nach [Energizer Solar Portable Power]. Nach dem Herunterladen erstellen Sie ein Konto und registrieren Ihr Produkt, um die Nutzung Ihrer Energizer Solar Portable Power Station zu verwalten und zu kontrollieren. Anleitungen zur WLAN-Verbindung finden Sie unter [www.energizersolar.com](http://www.energizersolar.com) unter Ressourcen.

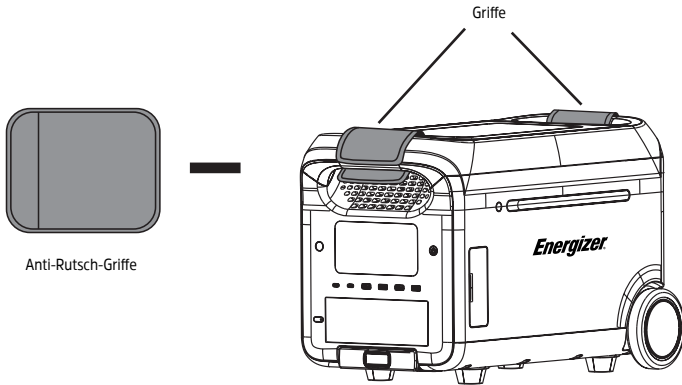
## USV Funktion

Dieses Produkt unterstützt die USV-Funktion, wenn Sie das Produkt über den AC-Eingang des Produkts und das AC-Ladekabel an das Stromnetz anschließen. Wenn das Elektrogerät an das Stromnetz angeschlossen ist, kann es den AC-Ausgang des Produkts verwenden. Zu diesem Zeitpunkt befindet es sich im Bypass-Modus (Wechselstrom aus dem Netz, nicht aus der Batterie). Wenn der Strom plötzlich ausfällt, kann das Produkt innerhalb von 14 ms automatisch in den batteriebetriebenen Modus umschalten, d.h. in den Wechselrichtermodus (der Wechselstrom kommt aus der Batterie, nicht aus dem Netz). Bitte schließen Sie es nicht an Geräte an, die eine hohe unterbrechungsfreie Stromversorgung benötigen, wie z. B. Datenserver und Workstations. Verwenden Sie das Produkt für diesen Zweck erst nach mehreren Tests, um zu prüfen, ob es kompatibel ist. Es wird empfohlen, in diesem Modus nur ein angeschlossenes Gerät zu verwenden und nicht mehrere Geräte gleichzeitig anzuschließen, um eine Überlastung des Geräts zu vermeiden. Wenn das Gerät nicht ordnungsgemäß funktioniert oder Daten verloren gehen, weil die Anweisungen nicht befolgt wurden, übernimmt unser Unternehmen keine Verantwortung.



## Anti-Rutsch-Griffe

Zwei rutschfeste Griffe sind in die vorderen und hinteren Griffe eingearbeitet, um ein Abrutschen zu verhindern.



## FAQ

### 1. Welche Art von Akku wird verwendet?

Lithium-Eisenphosphat (LiFePO<sub>4</sub>).

### 2. Welche Geräte können an den AC-Ausgängen angeschlossen werden?

Der AC-Ausgang hat eine hohe Nennleistung und maximale Leistung, so dass die meisten Haushaltsgeräte mit Strom versorgt werden können. Es wird empfohlen, die Leistung der Geräte vor dem Anschluss zu überprüfen und sicherzustellen, dass die Leistung aller Geräte unter der Nennleistung liegt.

### 3. Wie wird die Versorgungszeit ermittelt?

Die Zeit wird auf dem LCD-Display angezeigt, was bei Geräten mit stabilem Stromverbrauch zur Einschätzung herangezogen werden kann.

### 4. Woran erkennt man, dass geladen wird?

Während des Ladevorgangs zeigt das Display die verbleibende Ladezeit an. SOC blinkt und die Eingangsleistung wird angezeigt.

### 5. Wie wird das Gerät gereinigt?

Reinigen Sie das Gerät mit einem Mikrofasertuch.

### 6. Wie ist das Gerät zu lagern?

Schalten Sie es aus und verstauen Sie es an einem trockenen und belüfteten Ort. Halten Sie das Gerät fern von Wasser. Bei langfristiger Lagerung wird empfohlen, alle 3 Monate auf 0% zu entladen und wieder auf 100% aufzuladen, um die Lebensdauer zu verlängern.

### 7. Darf man das Gerät mit ins Flugzeug nehmen?

Nein, der Energizer Solar Peak 3000 entspricht nicht den Standards der Luftfahrt.

# Error Messages & Solutions

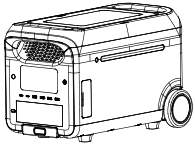
Symbol	Störung Beschreibung	Lösung
	Schwerer Batteriefehler	Schalten Sie das Gerät ein und aus und wenden Sie sich an den Kundenservice, wenn sich die Störung nicht beheben lässt.
	$\Delta V$ zu groß	Automatische Abschaltung, Fehler wird nach Neustart behoben.
	BMS-Spannung	Automatische Abschaltung, Fehler wird nach dem Neustart behoben.
	Zu hohe Temperatur der Batterie	Automatische Abschaltung, Temperatursenkung ermöglicht das Starten.
	Zu niedrige Temperatur der Batterie	Automatische Abschaltung, Temperaturerhöhung ermöglicht das Starten.
	Überstromschutz	Automatische Abschaltung, Fehler wird nach Neustart behoben.
	Zu hohe Temperatur	Automatische Abschaltung, verzögerter Start.
	Vorladung Fehler	Automatische Abschaltung, Fehler wird nach Neustart behoben.
	Batteriespannung Fehler	Fehler Automatisches Abschalten und Aufladen. Wenden Sie sich an den Kundenservice, wenn das Problem nach mehreren Ladefehlern noch nicht behoben ist.
	Abnormale Parallelsierung	Überprüfen Sie das Anschlusskabel. Wenden Sie sich an den Kundenservice, wenn das Problem noch nicht behoben ist. Die Funktion für eine einzelne Power Station ist davon nicht betroffen.
	Abweichende INV-Batteriespannung	Automatische Wiederherstellung nach Beseitigung des Fehlers.
	Fehler Netzspannung oder Frequenz	Der Fehler wird behoben, wenn sich das Netz wieder normalisiert.
	Abweichende INV-BUS Spannung	Automatische Wiederherstellung nach Beseitigung des Fehlers.
	Abweichender INV-Ausgang	Automatische Wiederherstellung nach Beseitigung des Fehlers.
	INV-Entladung Überlastung	Überlastendes Gerät entfernen. Automatische Wiederherstellung nach Beseitigung des Fehlers.
	Ladung Überlastung	Automatische Wiederherstellung nach Behebung des Fehlers.
	INV Tz	Automatische Wiederherstellung nach Beseitigung des Fehlers.
	Batteriekurzschluss	Fehler wird nach Neustart behoben.
	INV-Ausgang Kurzschluss	Fehler wird nach Neustart behoben.
	MOSFET OTP Fehler	Automatische Wiederherstellung nach Abkühlung des Geräts.

Symbol	Störung Beschreibung	Lösung
 21 Error	Lüfter stoppt	Ein- und ausschalten. Wenden Sie sich an den Kundenservice, wenn sich die Störung nicht beheben lässt.
 22 Error	Entladung Softstart-Fehler	Automatische Wiederherstellung nach Beseitigung des Fehlers.
 23 Error	Laden Softstart-Fehler	Automatische Wiederherstellung nach Beseitigung des Fehlers.
 Low 24 Error	MOSFET UTP Fehler	Ein- und ausschalten. Wenden Sie sich an den Kundenservice, wenn sich die Störung nicht beheben lässt.
 25 Error	Anderson Hardware OCP-Fehler	PV-Last entfernen, automatische Wiederherstellung nach Anschluss der PV und Einschalten.
 26 Error	Anderson Software OCP-Fehler	Ausgang abschalten, nach Beseitigung des Fehlers manuell wiederherstellen.
 27 Error	PV Hardware OCP-Fehler	PV-Last entfernen, automatische Wiederherstellung nach Anschluss der PV und Einschalten.
 28 Error	PV1 Software OCP-Fehler	PV1-Laden stoppen, automatische Wiederherstellung nach Anschluss der PV und Einschalten.
 29 Error	PV2 Software OCP-Fehler	PV2-Laden stoppen, automatische Wiederherstellung nach Anschluss der PV und Einschalten.
 30 Error	Autoladeausgang OCP-Fehler	Ausgang abschalten, nach Beseitigung des Fehlers manuell wiederherstellen.
 31 Error	PV-Ausgang OVP (Überspannungsschutz) Fehler	PV beenden. Automatische Wiederherstellung nach Beseitigung des Fehlers.
 32 Error	PV1-Eingang OVP-Fehler	PV1 beenden. Automatische Wiederherstellung nach Beseitigung des Fehlers.
 33 Error	PV2-Eingang OVP-Fehler	PV2 beenden. Automatische Wiederherstellung nach Beseitigung des Fehlers.
 Over 34 Error	Anderson OTP-Fehler	Ausgang abschalten, nach Beseitigung des Fehlers manuell wiederherstellen.
 Over 35 Error	PV1 OTP-Fehler	PV1 beenden. Automatische Wiederherstellung nach Beseitigung des Fehlers.
 Over 36 Error	PV2 OTP-Fehler	PV2 beenden. Automatische Wiederherstellung nach Beseitigung des Fehlers.
 38 Error	Autoladeausgang OTP-Fehler	Ausgang ausschalten, nach Behebung des Fehlers manuell wiederherstellen.
 Over 37 Error	Abweichende Kommunikation	Ein- und ausschalten oder Betriebsumgebung ändern. Wenden Sie sich an den Kundenservice, wenn das Problem noch nicht behoben ist.
 USB-A 39 Error	USB abweichend	Automatische Wiederherstellung nach Entfernen des abnormalen USB.
 USB-C 40 Error	USB-C abweichend	Automatische Wiederherstellung nach Entfernen des abnormalen Typs C

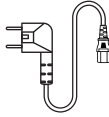
Wenn während der Verwendung des Geräts eine Warnung auftritt und das Warnsymbol auch nach dem Neustart des Geräts nicht verschwindet, stellen Sie die Verwendung des Geräts bitte sofort ein (versuchen Sie nicht, es zu laden oder zu entladen). Wenn keine der oben genannten Informationen Ihr Problem lösen kann, kontaktieren Sie bitte Energizer Solar unter [www.energizersolar.com](http://www.energizersolar.com)



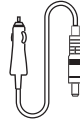
## Lieferumfang



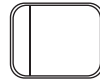
Power station



AC-Kabel



Autoladekabel



Anti-Rutsch-Griffe

## Wartung

- Es wird empfohlen, die Power Station innerhalb der optimalen Betriebstemperatur zu verwenden oder zu lagern. Achten Sie darauf, das Gerät fern von Wasser, Heizungen und Metalloberflächen zu halten.
- Bei langfristiger Lagerung alle 3 Monate laden und entladen, d. h. auf 0% entladen und dann auf 100% aufladen.
- Lagern Sie die Power Station aus Sicherheitsgründen nicht bei Temperaturen über 45°C (113°F) oder unter -20°C (4°F).
- Wenn die Kapazität weniger als 1% beträgt, laden Sie bitte auf 60%. Langfristige Lagerung ohne Stromversorgung führt zu irreversiblen Schäden an den Zellen und verkürzt die Lebensdauer des Produkts. Für Produkte, die mehr als 6 Monate lang nicht aufgeladen und entladen wurden, wird keine Garantie gewährt.
- Wenn die Akkukapazität kritisch niedrig wird und das Gerät über einen längeren Zeitraum nicht benutzt wird, geht das Produkt in den Tiefschlafmodus und kann erst nach Aufladen wieder genutzt werden.
- Nach dem Aufladen oder Entladen des Produkts müssen Sie mindestens 30 Minuten warten, bevor Sie es benutzen.

## Haftungsausschluss

- Das Produkt verfügt über ein eingebautes Batteriemanagementsystem mit verschiedenen Schutzmaßnahmen, einschließlich Überladung, Entladung, Überstrom, Kurzschluss, hohe und niedrige Temperatur und abweichende Kommunikation. Während der Verwendung des Produkts können diese Schutzmechanismen aktiviert werden und eine vorübergehende Unterbrechung des Ausgangs verursachen. Energizer Solar haftet nicht für mögliche Verluste, die durch versehentliche Stromunterbrechungen bei der Stromversorgung bestimmter Geräte entstehen, wie z. B. medizinische Geräte oder Server.
- Lesen Sie bitte dieses Benutzerhandbuch, bevor Sie die Power Station verwenden, um sicherzustellen, dass Sie alles verstehen und richtig verwenden. Bitte bewahren Sie das Benutzerhandbuch nach dem Lesen zum späteren Nachschlagen auf. Eine unsachgemäße Benutzung kann zu schweren Verletzungen bei Ihnen oder anderen Personen sowie zu Produkt- und Sachschäden führen. Sobald Sie die Power Station verwenden, wird davon ausgegangen, dass Sie alle hierin enthaltenen Bedingungen und Inhalte verstanden und akzeptiert haben. Von den Benutzern wird erwartet, dass sie die Verantwortung für ihre Handlungen und die sich daraus ergebenden Konsequenzen übernehmen. Energizer Solar haftet nicht für Schäden, welche durch Nichtbeachtung der Anweisungen in diesem Benutzerhandbuch entstehen können.
- In Übereinstimmung mit den Gesetzen und Vorschriften behält sich das Unternehmen das Recht auf eine endgültige Auslegung dieses Dokuments und aller zugehörigen Dokumente für dieses Produkt vor. Aktualisierungen, Überarbeitungen oder Beendigungen ohne vorherige Ankündigung sind vorbehalten. Die neuesten Produktinformationen finden Sie unter [www.energizersolar.com](http://www.energizersolar.com).

### FCC Statement - ENGLISH

This device complies with Part 15 of the FCC Rules. Operation is subject to the following two conditions:

(1) This device may not cause harmful interference.

(2) This device must accept any interference received, including interference that may cause undesired operation.

2. Changes or modifications not expressly approved by the party responsible for compliance could void the user's authority to operate the equipment.

Note: This equipment has been tested and found to comply with the limits for a class B digital device, pursuant to Part 15 of the FCC Rules. These limits are designed to provide reasonable protection against harmful interference in a residential installation. This equipment generates uses and can radiate radio frequency energy and, if not installed and used in accordance with the instructions, may cause harmful interference to radio communications. However, there is no guarantee that interference will not occur in a particular installation. If this equipment does cause harmful interference to radio or television reception, which can be determined by turning the equipment off and on, the user is encouraged to try to correct the interference by one or more of the following measures:

- Reorient or relocate the receiving antenna.
- Increase the separation between the equipment and receiver.
- Connect the equipment into an outlet on a circuit different from that to which the receiver is connected.
- Consult the dealer or an experienced radio/TV technician for help.

The device has been evaluated to meet general RF exposure requirement, This equipment should be installed and operated with a minimum distance of 20cm between the radiator and your body.

### ISED Statement - ENGLISH

This device contains licence-exempt transmitter(s)/receiver(s) that comply with Innovation, Science and Economic Development Canada's licence-exempt RSS(s).

Operation is subject to the following two conditions:

This device may not cause interference.

This device must accept any interference, including interference that may cause undesired operation of the device.

This equipment should be installed and operated with a minimum distance of 20 cm between the radiator and your body.

Le présent appareil est conforme aux CNR d'Industrie Canada applicables aux appareils radio exempts de licence. L'exploitation est autorisée aux deux conditions suivantes :

(1) l'appareil ne doit pas produire de brouillage, et (2) l'utilisateur de l'appareil doit accepter tout brouillage radioélectrique subi, même si le brouillage est susceptible d'en compromettre le fonctionnement. Cet équipement doit être installé et utilisé avec une distance minimale de 20 cm entre le radiateur et votre corps.

### Déclaration FCC - FRANÇAIS

Cet appareil est conforme à la partie 15 des règles FCC. L'exploitation est soumise aux deux conditions suivantes :

(1) Cet appareil ne doit pas provoquer d'interférences nuisibles.

(2) Cet appareil doit accepter toute interférence reçue, y compris les interférences susceptibles de provoquer un fonctionnement indésirable.

2. Les changements ou modifications non expressément approuvés par la partie responsable de la conformité pourraient annuler le droit de l'utilisateur à utiliser l'équipement.

Remarque : Cet équipement a été testé et déclaré conforme aux limites d'un appareil numérique de classe B, conformément à la partie 15 des règles de la FCC. Ces limites sont conçues pour fournir une protection raisonnable contre les interférences nuisibles dans une installation résidentielle. Cet équipement génère des utilisations et peut émettre de l'énergie de radiofréquence et, s'il n'est pas installé et utilisé conformément aux instructions, peut provoquer des interférences nuisibles aux communications radio. Cependant, rien ne garantit que des interférences ne se produiront pas dans une installation particulière. Si cet équipement provoque des interférences nuisibles à la réception radio ou télévision, ce qui peut être déterminé en éteignant et en allumant l'équipement, l'utilisateur est encouragé à essayer de corriger les interférences en prenant une ou plusieurs des mesures suivantes :

- Réorientez ou déplacez l'antenne de réception.
- Augmenter la séparation entre l'équipement et le récepteur.
- Connectez l'équipement à une prise sur un circuit différent de celui auquel le récepteur est connecté.
- Consultez le revendeur ou un technicien radio/TV expérimenté pour obtenir de l'aide.

L'appareil a été évalué pour répondre aux exigences générales d'exposition aux RF. Cet équipement doit être installé et utilisé à une distance minimale de 20 cm entre le radiateur et votre corps.

### Déclaration d'ISDE - FRANÇAIS

Cet appareil contient des émetteurs/récepteurs sans licence qui sont conformes aux RSS sans licence d'Innovation, Sciences et Développement économique Canada.

L'exploitation est soumise aux deux conditions suivantes :

Cet appareil ne doit pas provoquer d'interférences.

Cet appareil doit accepter toute interférence, y compris les interférences susceptibles de provoquer un fonctionnement indésirable de l'appareil.

Cet équipement doit être installé et utilisé avec une distance minimale de 20 cm entre le radiateur et votre corps.

Le présent appareil est conforme aux CNR d'Industrie Canada applicables aux appareils radio exempts de licence. L'exploitation est autorisée aux deux conditions suivantes :

(1) l'appareil ne doit pas produire de brouillage, et (2) l'utilisateur de l'appareil doit accepter tout brouillage radioélectrique subi, même si le brouillage est susceptible d'en perturber le fonctionnement. Cet équipement doit être installé et utilisé avec une distance minimale de 20 cm entre le radiateur et votre corps.

### Declaración FCC - ESPAÑOL

Este dispositivo cumple con la Parte 15 de las normas de la FCC. La operación está sujeta a las dos condiciones siguientes:

- (1) Es posible que este dispositivo no cause interferencias dañinas.
  - (2) Este dispositivo debe aceptar cualquier interferencia recibida, incluidas las interferencias que puedan causar un funcionamiento no deseado.
2. Los cambios o modificaciones no aprobados expresamente por la parte responsable del cumplimiento podrían anular la autoridad del usuario para operar el equipo.

Nota: Este equipo ha sido probado y cumple con los límites para un dispositivo digital de clase B, de conformidad con la Parte 15 de las normas de la FCC. Estos límites están diseñados para proporcionar una protección razonable contra interferencias dañinas en una instalación residencial. Este equipo genera usos y puede irradiar energía de radiofrecuencia y, si no se instala y utiliza de acuerdo con las instrucciones, puede causar interferencias dañinas en las comunicaciones por radio. Sin embargo, no hay garantía de que no se produzcan interferencias en una instalación en particular. Si este equipo causa interferencias dañinas en la recepción de radio o televisión, lo cual se puede determinar apagando y encendiendo el equipo, se recomienda al usuario que intente corregir la interferencia mediante una o más de las siguientes medidas:

- Reorientar o reubicar la antena receptora.
- Aumentar la separación entre el equipo y el receptor.
- Conectar el equipo a una toma de un circuito diferente al que está conectado el receptor.
- Consulte al distribuidor o a un técnico experimentado en radio/TV para obtener ayuda.

El dispositivo ha sido evaluado para cumplir con los requisitos generales de exposición a RF. Este equipo debe instalarse y operarse con una distancia mínima de 20 cm entre el radiador y su cuerpo.

### Declaración ISED - ESPAÑOL

Este dispositivo contiene transmisores/receptores exentos de licencia que cumplen con los RSS exentos de licencia de Innovación, Ciencia y Desarrollo Económico de Canadá. La operación está sujeta a las dos condiciones siguientes:

Es posible que este dispositivo no cause interferencias.

Este dispositivo debe aceptar cualquier interferencia, incluidas las interferencias que puedan causar un funcionamiento no deseado del dispositivo.

Este equipo debe instalarse y operarse con una distancia mínima de 20 cm entre el radiador y su cuerpo.

Le presente aparato est conforme aux CNR d'Industrie Canada applicable aux appareils radio exentés de licence. La exploitation est autorisée aux deux conditions suivantes :

- (1) El aparato no debe producir Brouillage, y (2) El usuario del aparato debe aceptar todo aparato radioeléctrico, aunque el Brouillage sea susceptible de comprometer su funcionamiento. Este equipo debe instalarse y utilizarse con una distancia mínima de 20 cm entre el radiador y su cuerpo.

### FCC-Erklärung – DEUTSCH

Dieses Gerät entspricht Teil 15 der FCC-Bestimmungen. Der Betrieb unterliegt den folgenden zwei Bedingungen:

- (1) Dieses Gerät darf keine schädlichen Störungen verursachen.
  - (2) Dieses Gerät muss alle empfangenen Störungen akzeptieren, einschließlich Störungen, die einen unerwünschten Betrieb verursachen können.
2. Änderungen oder Modifikationen, die nicht ausdrücklich von der für die Einhaltung verantwortlichen Partei genehmigt wurden, können zum Erlöschen der Berechtigung des Benutzers zum Betrieb des Geräts führen.

Hinweis: Dieses Gerät wurde getestet und entspricht den Grenzwerten für ein digitales Gerät der Klasse B gemäß Teil 15 der FCC-Bestimmungen. Diese Grenzwerte sollen einen angemessenen Schutz vor schädlichen Störungen in einer Wohnanlage bieten. Dieses Gerät erzeugt Energie und kann Hochfrequenzenergie ausstrahlen. Wenn es nicht gemäß den Anweisungen installiert und verwendet wird, kann es schädliche Störungen der Funkkommunikation verursachen. Es gibt jedoch keine Garantie dafür, dass bei einer bestimmten Installation keine Störungen auftreten. Wenn dieses Gerät schädliche Störungen beim Radio- oder Fernsehempfang verursacht, was durch Aus- und Einschalten des Geräts festgestellt werden kann, wird dem Benutzer empfohlen, zu versuchen, die Störung durch eine oder mehrere der folgenden Maßnahmen zu beheben:

- Richten Sie die Empfangsantenne neu aus oder versetzen Sie sie.
- Erhöhen Sie den Abstand zwischen Gerät und Empfänger.
- Schließen Sie das Gerät an eine Steckdose an, die über einen anderen Stromkreis verfügt als den, an den der Empfänger angeschlossen ist.
- Bitten Sie den Händler oder einen erfahrenen Radio-/TV-Techniker um Hilfe.

Das Gerät wurde dahingehend bewertet, dass es die allgemeinen Anforderungen an die HF-Exposition erfüllt. Dieses Gerät sollte mit einem Mindestabstand von 20 cm zwischen dem Strahler und Ihrem Körper installiert und betrieben werden.

### ISED-Erklärung – DEUTSCH

Dieses Gerät enthält lizenzfreie Sender/Empfänger, die den lizenzfreien RSS(s) von Innovation, Science and Economic Development Canada entsprechen. Der Betrieb unterliegt den folgenden zwei Bedingungen:

Dieses Gerät darf keine Störungen verursachen.

Dieses Gerät muss jegliche Störungen akzeptieren, einschließlich Störungen, die einen unerwünschten Betrieb des Geräts verursachen können.

Dieses Gerät sollte mit einem Mindestabstand von 20 cm zwischen dem Strahler und Ihrem Körper installiert und betrieben werden.

Das gegenwärtige Gerät entspricht dem CNR d'Industrie Canada und gilt auch für Radiogeräte, die von der Lizenz befreit sind. Die Ausbeutung ist zu zweit autorisiert

Folgende Bedingungen:

- (1) Das Gerät darf keine Brouillage herstellen, und (2) der Gerätenutzer akzeptiert die gesamte radioelektrische Unterlage, auch wenn das Brouillage anfällig für eine Beeinträchtigung der Funktion ist. Dieses Gerät muss mit einem Mindestabstand von 20 cm zwischen dem Heizkörper und Ihrem Körper installiert und verwendet werden.



**United States of America**  
888 Prospect Street, Suite 200  
La Jolla California 92037  
+1 424 254 5344

**Europe**  
The Black Church, St Mary's Place  
Dublin D07 P4AX, Ireland  
+353 1 254 8222

**Australia**  
Level 35, 477 Collins St, Melbourne  
Victoria 3000, Australia  
+61 1300 757 827

